



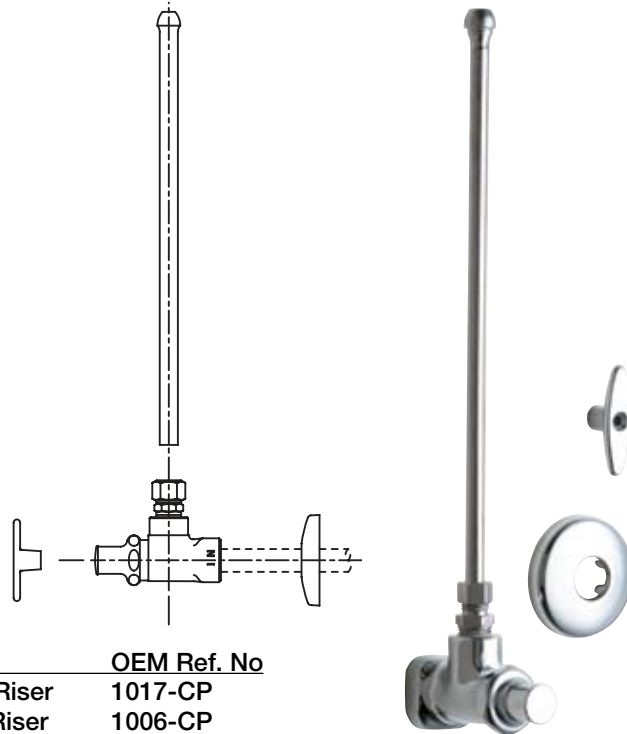
PlumbMaster, Inc.

NEW PRODUCT

CHICAGO FAUCETS

**ANGLE SERVICE STOP FITTING
WITH SUPPLY TUBE**

- Polished Chrome Plated Finish
- Solid Brass Body Construction
- 2-1/4" Loose Key Handle, OEM Ref. #293-6
- Loose Key Cap with Plug Button
- Slow Compression Renewable Cartridge that Closes with Water Pressure with Square Broach to Facilitate Handle Removal, OEM Ref. #217-XTLH
- 3/8" NPT Female Inlet
- Rated Operating Pressure: 20-125 PSI
- Rated Operating Temperature: 40-140° F



Cat. No.	Description	OEM Ref. No
34380	3/8" O.D. Angle Stop x 12" Flexible Supply Riser	1017-CP
34381	1/2" O.D. Angle Stop x 12" Flexible Supply Riser	1006-CP

CHICAGO FAUCETS

**SINGLE CONTROL DECK MOUNTED FAUCET
WITH 4-3/4" INTEGRAL SPOUT**

- Polished Chrome Plated Finish
- Solid Brass Body Construction
- 4-3/4" C-C Integral Spout
- 2.2 GPM Pressure Compensating Aerator, OEM Ref. #E12
- ADA Metal Lever Handle
- Temperature Limit Stop
- Volume Control
- Ceramic Mixing Cartridge, OEM Ref. #2300X
- 3/8" Copper Tube Supply Inlets
- 6-1/8" x 2-1/4" Cover Plate
- Rated Operating Pressure: 20-125 PSI
- Rated Operating Temperature: 40-140° F



Cat. No.	Description	OEM Ref. No
34382	Single Control Deck Mounted Faucet	2200-4CP