



PlumbMaster, Inc.

NEW PRODUCT

SLOAN ECOS
G2 TO ECOS CONVERSION KIT

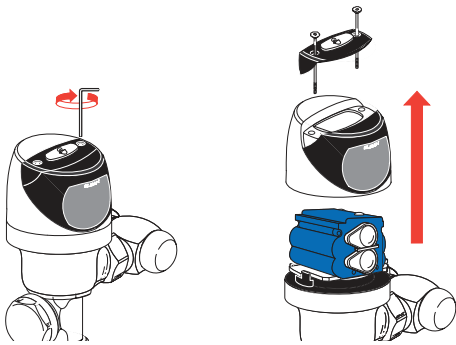
CONSERVE WATER & GO GREEN
save water • save energy • save money 

- Convert Existing 1.6 GPF G2 Units to ECOS 1.6/1.1 GPF Units
- If the User is Present for Less than One Minute and Leaves the Sensing Zone or Chooses the Small Override Button, a Reduced Flush Initiates, Eliminating Liquid and Paper Waste, Saving 1/2 Gallon of Water
- If the User is Present for Greater than One Minute and Leaves the Zone or Chooses the Large Override Button, the Full Flush Initiates, Eliminating Solid Waste and Paper
- Reduces Water Volume by up to 30% When a Reduced Flush Occurs
- OEM Ref. No. EBV1004A

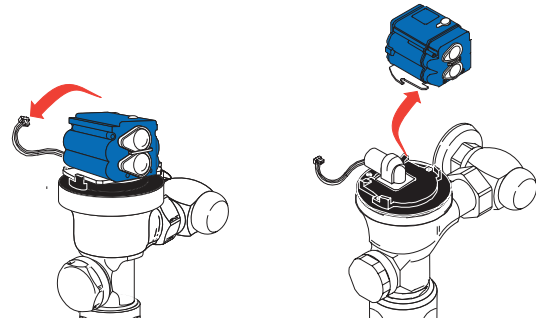
Cat. No. 71085



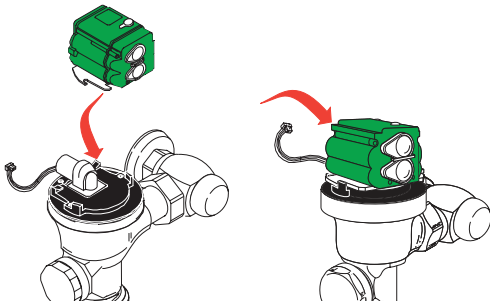
- 1** Loosen and remove top screws of G2 Flushometer along with the outer cover assembly.



- 2** Disconnect wire clip from battery door and remove module from inner cover assembly.



- 3** Mount ECOS™ module on inner cover assembly. Reconnect the plastic clip on the battery door.



- 4** Assemble outer cover assembly, ECOS™ Button assembly and secure with screws.

