



PlumbMaster, Inc.



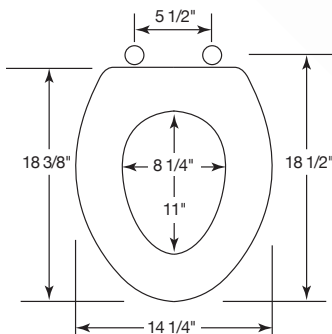
NEW PRODUCT

Bemis Plastic Hospitality Toilet Seat

FEATURING STA-TITE® COMMERCIAL FASTENING SYSTEM™

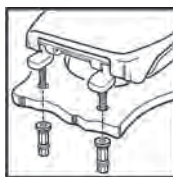
- White
- Closed Front with Cover for Elongated Bowl
- Commercial Weight and Injection Mold of Solid Plastic
- Large Molded-In Bumpers
- STA-TITE® Commercial Fastening System™, Featuring External Check Hinges with 300 Series Stainless Steel Posts and Pintles
- OEM Ref. No. 7600T

Cat. No. 41901

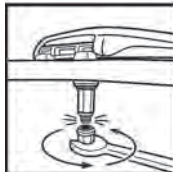


Ring thickness is 5/8"
 Ring thickness including the bumper is 7/8"
 Height of the seat with cover is 1-7/8"

STA-TITE®



Finger-tighten fastening nuts.



Using wrench, tighten until lower portion shears off.



STA-TITE®, COMMERCIAL FASTENING SYSTEM™, ONE-PIECE INTEGRATED NUT AND WASHER



EXTERNAL CHECK HINGE WITH 300 SERIES STAINLESS STEEL BOLTS

Phone: 1-800-523-5130 • Fax: 1-800-338-1867 • www.plumbmaster.com