



PlumbMaster, Inc.

NEW PRODUCT

WATTS®

KwikStop® Quarter-Turn Stops
with Quick-Connect Technology

- Available in Angle and Straight Pattern
- 1/2" CTS Quick-Connect Inlet
- May be Used on Copper, CPVC and PEX
- May be Removed and Reused
- Chrome Finish
- Max. Pressure: 125 PSI
- Max Temperature: 160°F
- NSF Approved



Quick-Connect

Cat. No.	OEM Ref. No.	Description
53401	QC894A	1/2" CTS x 3/8" O.D. Comp (Angle)
53402	QC894S	1/2" CTS x 3/8" O.D. Comp (Straight)

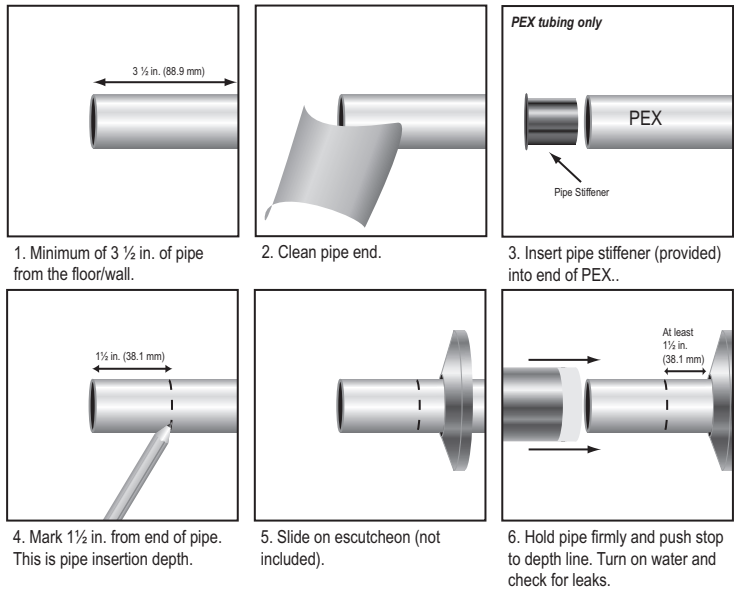


53401



53402

To Install



To Disconnect

