



**PlumbMaster, Inc.**



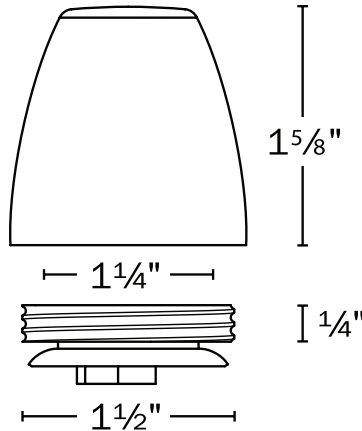
# NEW PRODUCT

## Smart Cap™

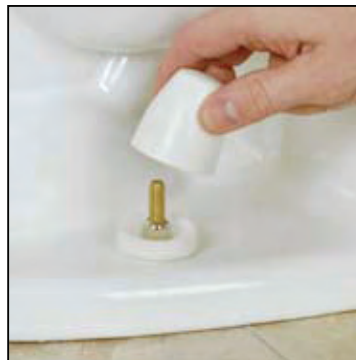
### CLOSET BOLT COVER CAP AND BASE

- Taller Cap Eliminates the Need to Cut Brass Bolts
- Cap Screws onto Base for a Secure Connection
- Can be Used with Both 1/4" and 5/16" Bolts, Maximum Length 2-1/2"
- Boss on Base Prevents Spinning During Installation or Removal
- Base Creates a Tight Seal that Helps Create a Sanitary Seal Between Cap Base and China
- Can be Installed on New and Existing Toilets
- OEM Ref. No. 442-2W
- Case Qty. - 25

Cat. No. 40532



Never cut brass bolts again. Bolts that are cut may become too short to reuse if additional flooring is added.



Base is installed between the bowl and nut.



Cap screws onto base for a secure connection.

Phone: 1-800-523-5130 • Fax: 1-800-338-1867 • [www.plumbmaster.com](http://www.plumbmaster.com)