



WOLVERINEBRASS®

FINALE TOILETS



Guaranteed the last toilet you'll ever need!

FINALE PERFECT HEIGHT TOILET

Ultimate Features:

- 1.28 gpf gravity fed low consumption
- **Hyperflush** 3 second empty/17 second fill @ 40 psi
- Elongated/Round siphon jetted bowl
- ADA compliant w/seat installed
- Oversized 3" flush valve
- 2-1/8" glazed trapway
- MAP performance solid waste removal 1000 grams
- Easy tank-to-bowl/solid brass coupling system
- Chrome tank lever, closet bolt caps & flat tank cover included
- 100% factory tested
- EPA Water Sense Compliant



Meets or exceeds the following specifications:

- ASME A112.19.2M for Vitreous China Fixtures - includes flush performance, trap seal depth and all dimensions.
- EPA Water Sense HET Program
- Los Angeles Department of Water and Power Supplementary Purchase Specification for Non-Adjustability
- LEEDS Program
- ADA (Americans with Disabilities Act) Guidelines and ANSI A117.1 Requirements for Accessible and Usable Building Facilities.



Hyperflush Technology

The Highest Standard for Flushing Performance.



Hush™ Fill Valve w/Brass Shank



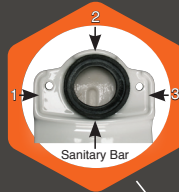
Solid Brass Tank to Bowl Coupling System



Front Mount Tank Lever w/7" Long Round Brass Arm



Big Orange™ 3" Chemical Resistant Vinyl Flapper



3 Point (No Rocking) Tank Stabilization with Sanitary Bar

FINALE TOILETS

ELONGATED PERFECT HEIGHT Left Hand Flush (White)



Cat. #3950TB - Tank & Bowl
Cat. #3950TK* - Tank, Bowl & HD Install Package
Cat. #3950TKS** - Tank, Bowl & Slow-Close Install Package

Cat. #3950T - Tank Only
Cat. #3950B - Elongated Bowl Only
Cat. #3950C - Tank Cover Only - 20"
Cat. #51822W - Tank Lever - Chrome
Cat. #51822BN - Tank Lever - Brushed Nickel

Installation package contains 1 each

#85530 - Elongated heavy duty seat with cover*
#85532 - Elongated Slow-Close seat with cover**
#57665US - 16" USA Stainless connector with brass nuts
#51499 - 3" or 4" Wax gasket with horn
#59449W - Pair of 5/16" x 2-1/4" double nut closet bolts

ELONGATED PERFECT HEIGHT Right Hand Flush (White)



Cat. #3954TB - Tank & Bowl
Cat. #3954TK* - Tank, Bowl & HD Install Package
Cat. #3954TKS** - Tank, Bowl & Slow-Close Install Package

Cat. #3954T - Tank Only
Cat. #3950B - Elongated Bowl Only
Cat. #3950C - Tank Cover Only - 20"
Cat. #51822W - Tank Lever - Chrome
Cat. #51822BN - Tank Lever - Brushed Nickel

Installation package contains 1 each

#85530 - Elongated heavy duty seat with cover*
#85532 - Elongated Slow-Close seat with cover**
#57665US - 16" USA Stainless connector with brass nuts
#51499 - 3" or 4" Wax gasket with horn
#59449W - Pair of 5/16" x 2-1/4" double nut closet bolts

**STANDARD HEIGHT
(White)**



**ROUND PERFECT HEIGHT
Left Hand Flush (White)**



Install Package
Close Install Package

Cat. #3950TRB - Tank & Bowl
Cat. #3950TRK* - Tank, Bowl & HD Install Package
Cat. #3950TRKS** - Tank, Bowl & Slow-Close Install Package

ckel

Cat. #3950T - Tank Only
Cat. #3950RB - Round Bowl Only
Cat. #3950C - Tank Cover Only - 20"
Cat. #51822W - Tank Lever - Chrome
Cat. #51822BN - Tank Lever - Brushed Nickel

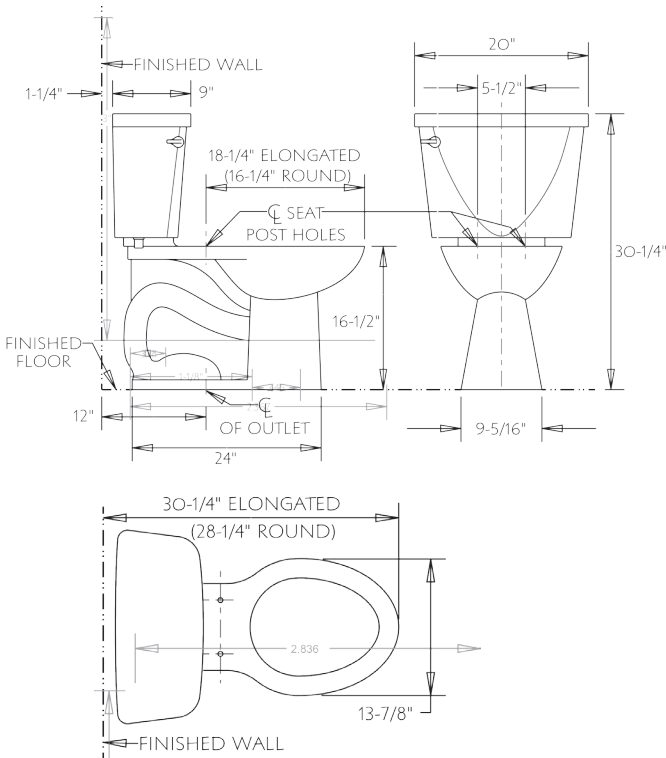
cover*
cover**
or with brass nuts
ut closet bolts

Installation package contains 1 each
#85528 - Round heavy duty seat with cover*
#85533 - Round Slow-Close seat with cover**
#57665US - 16" USA Stainless connector with brass nuts
#51499 - 3" or 4" Wax gasket with horn
#59449W - Pair of 5/16" x 2-1/4" double nut closet bolts



WOLVERINEBRASS®

SPECIFICATIONS



ELONGATED PERFECT HEIGHT

- Cat. #3950TB - Tank & Bowl
- Cat. #3950TK* - Tank, Bowl & HD Install Package
- Cat. #3950TKS** - Tank, Bowl & Slow-Close Install Package

- Cat. #3954TB - Tank & Bowl
- Cat. #3954TK* - Tank, Bowl & HD Install Package
- Cat. #3954TKS** - Tank, Bowl & Slow-Close Install Package

ROUND PERFECT HEIGHT

- Cat. #3950TRB - Tank & Bowl
- Cat. #3950TRK* - Tank, Bowl & HD Install Package
- Cat. #3950TRKS** - Tank, Bowl & Slow-Close Install Package

Installation package contains 1 each

- #85530 - Elongated heavy duty seat with cover*
- #85532 - Elongated Slow-Close seat with cover **
- #57665US - 16" USA Stainless connector with brass nuts
- #51499 - 3" or 4" Wax gasket with horn
- #59449W - Pair of 5/16" x 2-1/4" double nut closet bolts



WOLVERINEBRASS®

WARRANTY

100 YEAR LIMITED WARRANTY ON CHINAWARE

5 YEAR LIMITED WARRANTY ON MECHANICAL PARTS

Wolverine Brass Finale Ultimate toilet comes with a limited 100 year warranty on chinaware and a 5 year warranty on all mechanical parts to include tank lever, Finale fill valve and 3" Big Orange™ tank flapper.

During the warranty period Wolverine Brass will replace FREE OF CHARGE any part which proves defective in material and/or workmanship under normal use and service. This warranty is limited to defective parts replacement only. All labor charges and/or damages involved are excluded. Any damage to this product as a result of misuse, abuse, neglect, accident, improper installation or any violation of instructions furnished by Wolverine Brass will void the warranty.

This warranty does not apply to commercial installations. The warranty for commercial installations is 5 years on chinaware and 5 years on mechanical parts.

This warranty does not apply to local building code compliance and all purchasers should check to ensure local code compliance before installation.

This warranty will be void if toilet has been moved from its initial installation place; has been subjected to misuse, abuse, accident or other damage or was not installed properly.

This warranty will be void if damages are caused by the use of in-tank cleaners which may seriously corrode all in tank mechanical parts thus causing leakage.

This warranty gives you specific legal rights and you may also have other rights which may vary from state to state.



PLUMBMASTER®

Phone: 1-800-523-5130

Fax: 1-800-338-1867

www.plumbmaster.com

PPG Professional
PLUMBING GROUP

011317 © 2017 PPG



WOLVERINEBRASS®

Phone: 1-800-944-9292

Fax: 1-800-945-9292

www.wolverinebrass.com