


INSTALLATION INSTRUCTIONS

GLENWALL® VORMAX® WALL-MOUNTED TOILET

2882 SERIES



*American
Standard*

 When installed so top of seat is 17" to 19" (432mm to 483mm) from the finished floor. MEETS THE AMERICANS WITH DISABILITIES ACT GUIDELINES AND ANSI A117.1 REQUIREMENTS FOR ACCESSIBLE AND USEABLE BUILDING FACILITIES - CHECK LOCAL CODES.

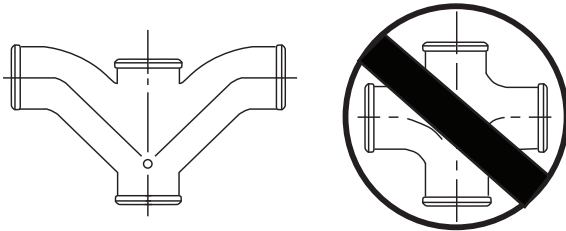
Thank you for selecting American Standard – the benchmark of fine quality for over 100 years. To ensure this product is installed properly, please read these instructions carefully before you begin. (Certain installations may require professional help.) Also be sure your installation conforms to local codes.

▲ CAUTION: PRODUCT IS FRAGILE. TWO PEOPLE ARE RECOMMENDED FOR HANDLING TO AVOID BREAKAGE AND POSSIBLE INJURY!

NOTE: For proper operation product requires a minimum of 30 psi working line pressure

RECOMMENDED TOOLS AND MATERIALS	EZ-INSTALL KIT INCLUDED WITH TANK
Closet Carrier Support Putty Knife Regular Screwdriver Adjustable Wrench Sealant Tape Measure Carpenters Level Water Supply Line - Verify length required	  Attachment Handle Nuts (3)

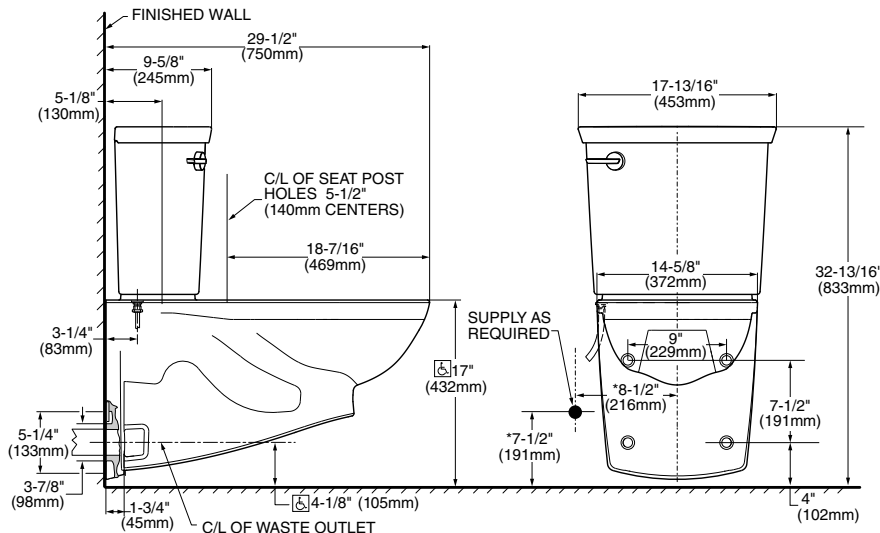
BACK-TO-BACK INSTALLATION



Recommended fitting type for back-to-back installations.

Depending upon your plumbing and venting conditions, the flow from the toilet in a back-to-back installation may create a vacuum on the system and draw water from the opposing bowl. The National Standards Plumbing Code prohibits the use of a cross fitting for drainage as throw over is possible. The code does approve a directional "Y" style fitting with proper venting to direct the water downward and away from the other toilet.

1 Pictures may not exactly define contour of china



S
A
V
E
F
O
R
F
U
T
U
R
E
U
S
E



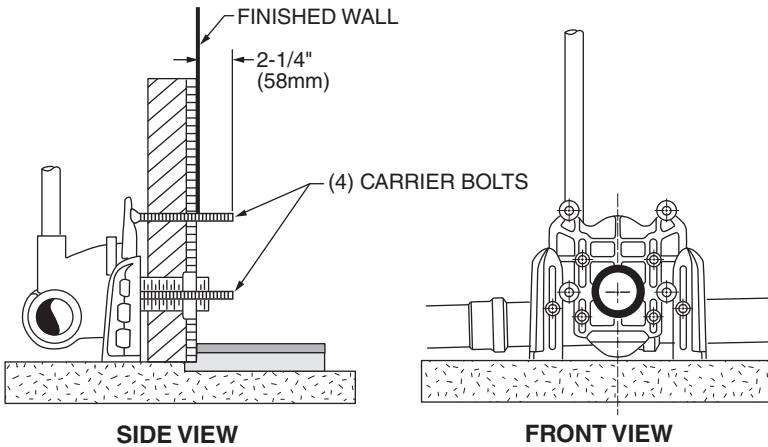
Product names listed herein are trademarks of AS America, Inc.
© AS America, Inc. 2018

7302395-100

7302395-100

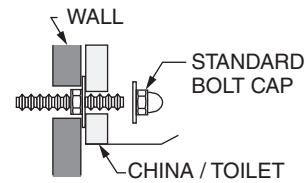
2 FIXTURE MOUNTING

Fixture studs should project 58mm (2-1/4") from face of finished wall.

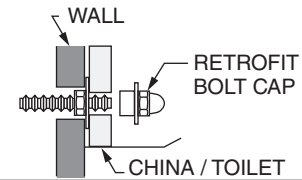


NOTE: If carrier bolt does not extend or is flush with china, use retrofit caps 7381285-200.0070A (sold separately).

STANDARD BOLT CAP



RETROFIT BOLT CAP

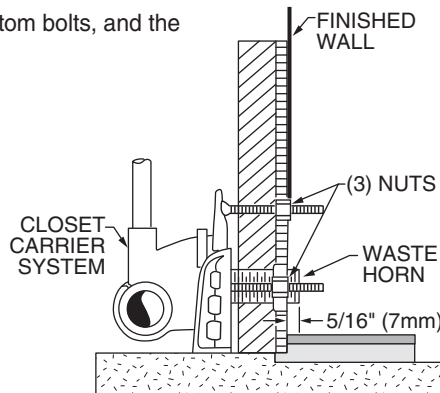


3

Place back-up nuts on both bottom bolts, and the top left-hand bolt only.

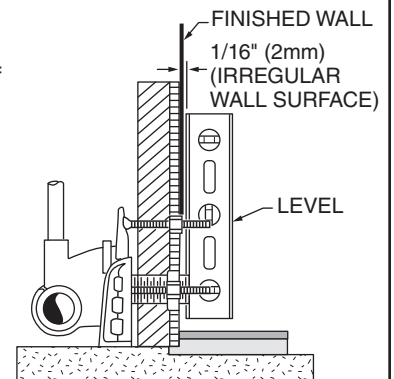
Adjust the two lower back-up nuts so that front face of nuts and washers are positioned to allow a minimum 1/16" (2mm) gap between fixture and wall surface.

Adjust waste horn to project 5/16" (7mm) from finished wall.



4

Using a level on face of back-up nuts, adjust the top left back-up nut so that it is in the same vertical plane as the lower left back-up nut.



5

NOTE: Bearing nuts and washers must be set to take full loading from the fixture allowing 1/16" (2mm) clearance between fixture and wall. Wall Carrier and Wall Gasket are not included.

Follow support manufacturer's recommended setting of closet outlet connection.

WASTE OUTLET SEAL RING MUST BE NEOPRENE OR GRAPHITE-FELT (WAX RING NOT RECOMMENDED).

When the fixture is installed, closet outlet gasket must be compressed sufficiently to assure a gas and watertight seal.

THE FOLLOWING STEPS REQUIRE A HELPER:

Install bowl on support using cap nuts and fiber washers with the back-up nuts and washers.

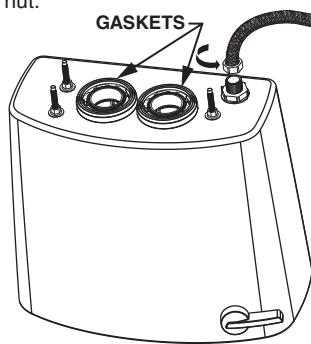
DO NOT APPLY TOP RIGHT FIBER WASHER AND CAP NUT UNTIL OTHER CAP NUTS HAVE BEEN FIRMLY TIGHTENED USING A WRENCH.

Install top right cap nut with fiber washer and run up hand tight. Wrench tighten approximately 1/4 turn.

Apply sealant to gap between bowl and finished wall. Remove excess sealant.

6

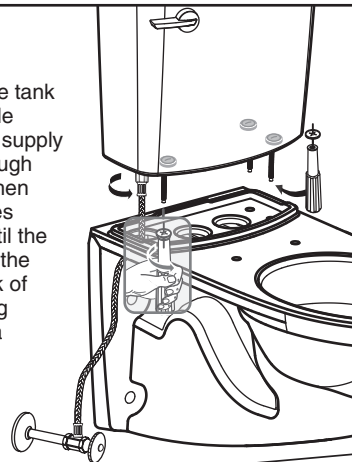
Connect water supply line. (Sold separately)
Hand tighten nut.



Confirm gaskets are fully seated on tank.

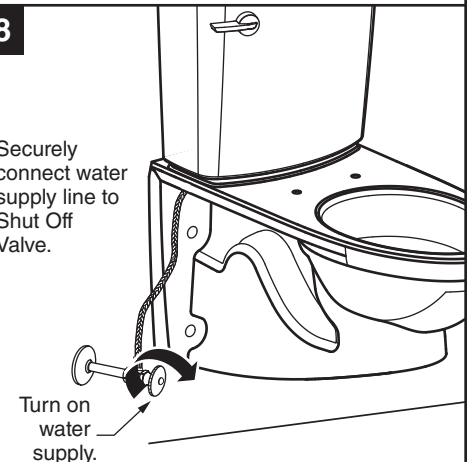
7

Carefully place tank over bowl while feeding water supply line hose through hole in bowl then tighten handles alternately until the tank contacts the front and back of bowl achieving china-to-china contact.



8

Securely connect water supply line to Shut Off Valve.
Turn on water supply.



WARNING: Overtightening of water supply line nuts could result in breakage and potential flooding. If the connection leaks after hand tightening, replace the supply line. Do not use any type of sealant on the water supply connection. Use of plumber's putty, pipe dope, or any other type of sealant will void the warranty.

WARNING: Do not use plumber's putty, pipe dope, or any other sealant on the water supply connection to this tank. If the connection leaks after hand tightening, replace the supply line. If the connection continues to leak with the new supply line, replace the fill valve. **Warranty is void if any type of sealant is used on the water supply connection.**

Water Level Adjustment Knob

Trip Lever Rod

Overflow Tube

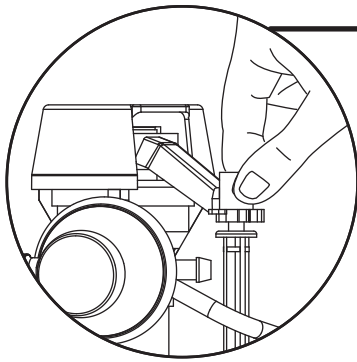
Approximate Water Level

Float Cup

Adjustable Screw

Fill Valve
Or Water
Control

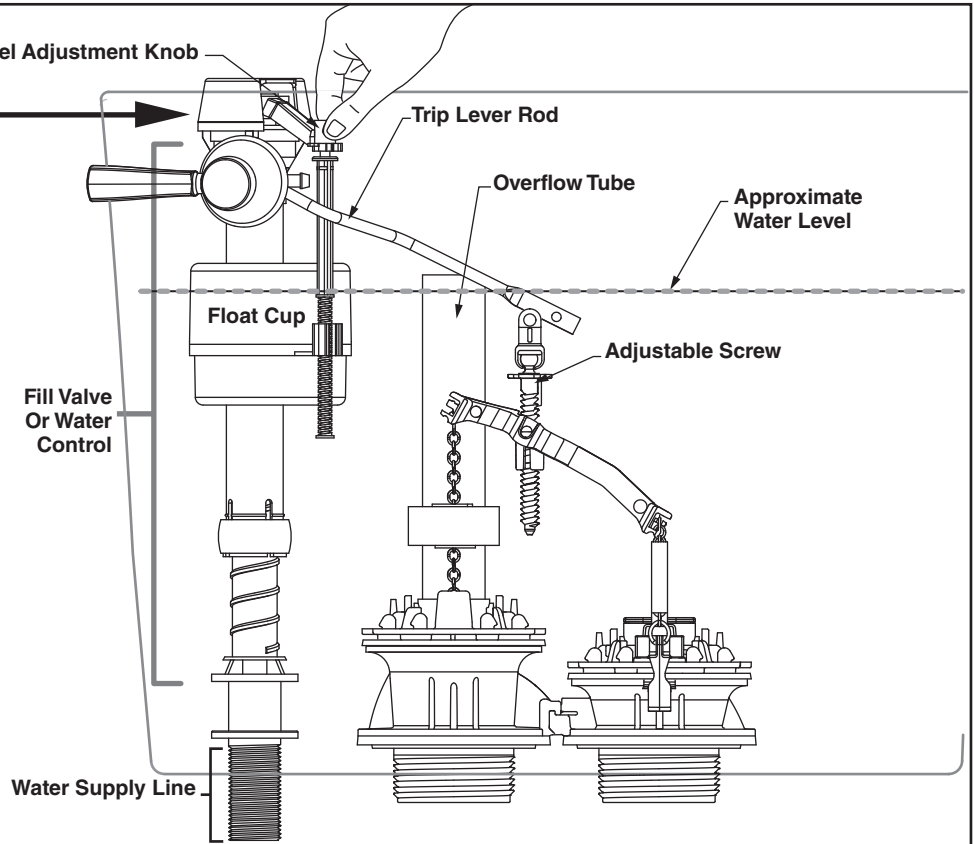
Water Supply Line



- A** Adjust water level to level indicated on tank by turning water level adjustment knob to move float cup up or down.

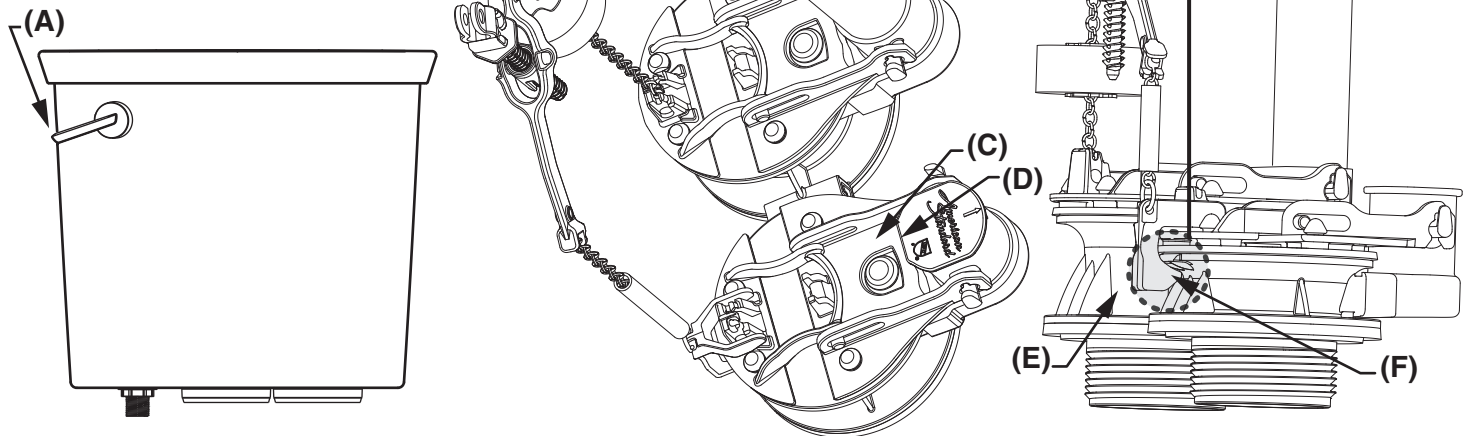
- B** Prime the system by flushing the product 5 times before use to achieve optimal performance.

- C** **PROPER FLUSHING METHOD:**
Be sure to fully depress the trip lever on each flush. Do not hold the trip lever down for extended periods of time as this could allow air to enter the system which will slightly degrade performance for a few flushes.



10 VERIFY ADJUSTABLE SCREW SETUP

1. Depress trip lever handle all the way **(A)**.
2. Adjust screw on the teeter bar **(B)** so rear frame **(C)** touches the frame stop **(D)**.
3. Return trip lever handle **(A)** to rest position.
4. Make sure hook **(E)** is fully engaged under tab on valve body **(F)**, if not, slightly adjust screw to make sure hook is engaged.



IMPORTANT: American Standard does not recommend that the tank components be switched out with anything other than the furnished specified components as the performance could be affected. Any alterations made using anything other than the specified components could negatively impact the flush performance and will void the warranty.

CARE AND CLEANING

When cleaning your toilet, wash it with mild, soapy water, rinse thoroughly with clear water and dry with a soft cloth.

WARNING: Do not use in-tank cleaners. These products can seriously corrode fittings in the tank. This damage can cause leakage and property damage. American Standard shall not be responsible or liable for any damage caused by the use of in-tank cleaners.

TROUBLESHOOTING GUIDE - See Step 9-10 For Diagram

Problem	Possible Cause	Corrective Action
Does not flush	<ul style="list-style-type: none"> a. Water supply valve closed. b. Supply line blocked. c. Flush valve chain too loose or disconnected. d. Sand or debris lodged in water control. 	<ul style="list-style-type: none"> a. Open valve and allow water to fill tank. b. Shut off water supply, disconnect supply line and inspect all gaskets and washers. Reassemble. c. Readjust chain length as required. d. Shut off water supply. Remove cap and clean as per Fluidmaster maintenance instructions at: www.americanstandard-us.com/enews/fluidmasterguide.pdf
Poor or sluggish flush	<ul style="list-style-type: none"> a. Bowl water level too low. b. Supply valve partly closed. c. Partially clogged trapway and/or drain pipe and/or vent. d. Supply pressure too low. e. Tank not installed tightly on bowl. f. Product has air stuck in waterways. g. Incorrect tank water level h. Trip lever not opening jet flapper to stop i. Air leak j. Trip lever not returning to original position k. Loss of prime due to depressing on the trip lever too long 	<ul style="list-style-type: none"> a. Check that refill tube is connected to water control and inserted into overflow tube without being kinked or damaged. b. Open supply valve fully. Be sure that proper supply tube size is used. c. Remove obstruction. Consult a plumber if necessary. d. Normal supply pressure must be at least 20 psi. e. Tighten bolts as shown in Step 7 to make sure the tank is touching the piers of the bowl in the front and back of the product. f. Re-prime bowl by flushing 5 times in a row allowing the tank to refill each time to achieve optimal performance. g. Check water level in tank to make sure it is at the correct height listed inside the tank. Re-prime bowl by flushing 5 times in a row allowing the tank to refill each time to achieve optimal performance. h. Adjust settings according to adjustable screw setup in Step 10 i. Reseat tank by shutting off water supply, disconnect supply line, remove tank mounting nuts, inspect all gaskets and reassemble j. Adjust trip lever nut by loosening the nut a quarter turn at a time clockwise (reverse thread) k. Do not depress trip lever longer than 2 seconds for optimal performance. Depressing trip lever longer will negatively affect the toilet performance by causing a loss of prime. Re-prime bowl by flushing 5 times in a row allowing the tank to refill each time to achieve optimal performance.
Toilet leaks	<ul style="list-style-type: none"> a. Poor supply line connection. b. Poor bowl to tank/wall connection. c. Cracked Bowl d. Loose tank nuts e. Loose flush valve mounting nuts f. Tank to Bowl gaskets defective g. Black rim flapper leaking. Inlet valve will periodically run and you will see water coming from port in to the bowl h. Red jet flapper leaking. Inlet valve will periodically run 	<ul style="list-style-type: none"> a. Review Step 8 of installation procedure. b. Review Step 1 through 8 of installation procedure. c. Send new bowl / return d. Tighten nuts, reinstall e. Tighten nuts, reinstall f. Replace gaskets g. Clean debris from seal surface. Replace flapper seal as needed and adjust settings according to adjustable screw setup in Step 10. h. Clean debris from seal surface. Replace flapper seal as needed and adjust settings according to adjustable screw setup in Step 10.
Toilet does not shut off	<ul style="list-style-type: none"> a. Flapper seal leaking or deformed. b. Sand or debris lodged in water control. c. Flush valve chain too tight, holding flapper open. 	<ul style="list-style-type: none"> a. Clean debris from seal surface. Replace flapper seal as needed. See web for more info. b. Shut off water supply. Remove cap and clean as per Fluidmaster maintenance instructions at: www.americanstandard-us.com/enews/fluidmasterguide.pdf c. Adjust settings according to adjustable screw setup in Step 10.

In the United States:

American Standard Brands
1 Centennial Ave.

Piscataway, New Jersey 08854

Attention: Director of Customer Care

For residents of the United States, warranty information may also be obtained by calling the following toll free number: (800) 442-1902

www.americanstandard.com

In Canada:

AS Canada, ULC
5900 Avebury Rd.

Mississauga, Ontario

Canada L5R 3M3

Toll Free: (800) 387-0369

www.americanstandard.ca

In Mexico:

American Standard B&K Mexico
S. de R.L. de C.V.

Via Morelos #330

Col. Santa Clara

Ecatepec 55540 Edo. Mexico

Toll Free: 01-800-839-1200

www.americanstandard.com.mx