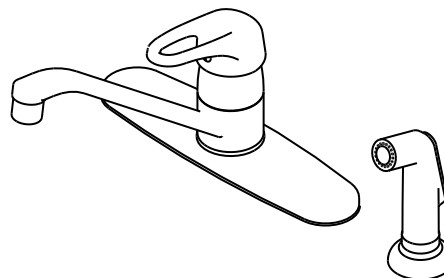
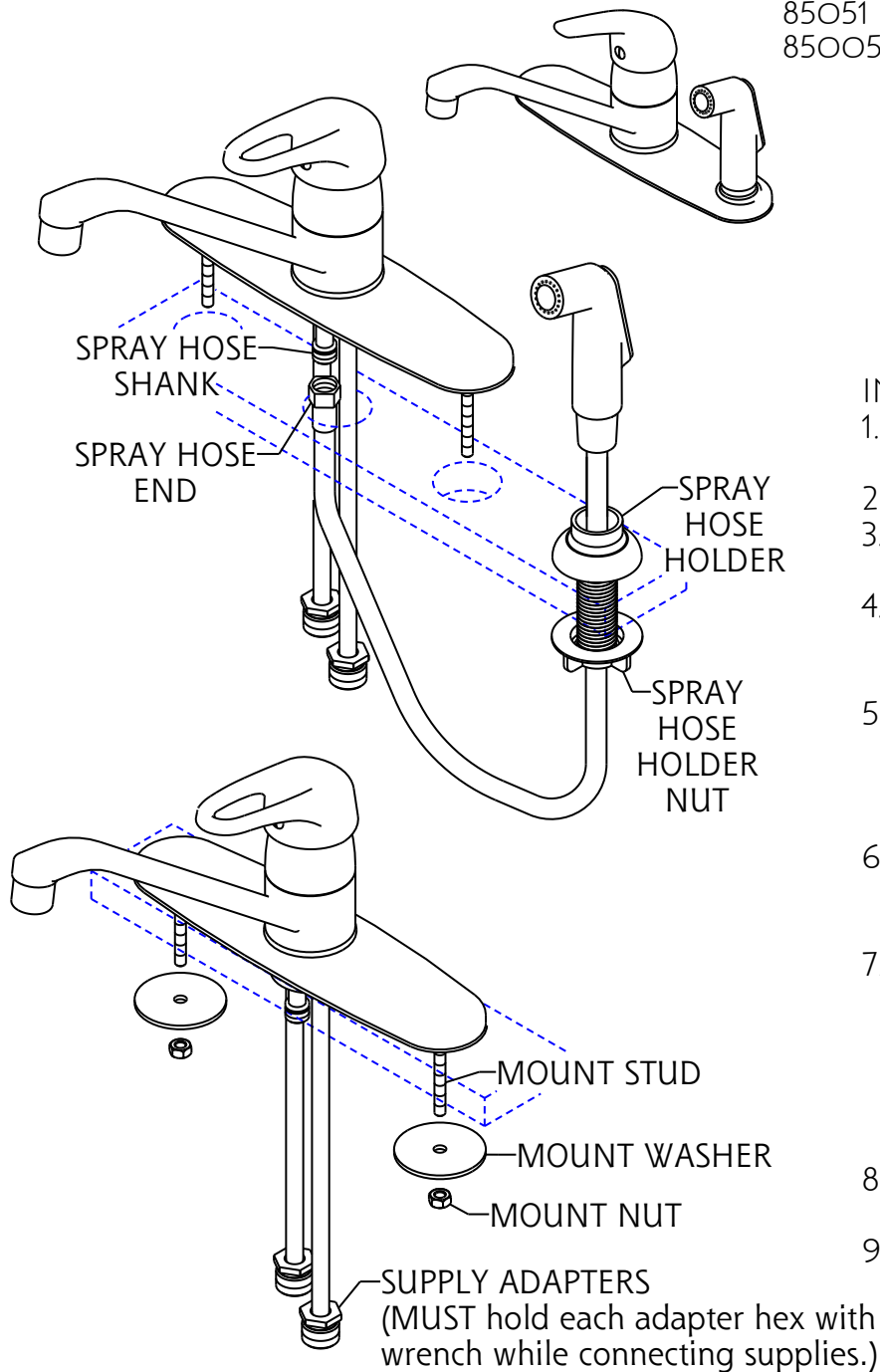


WOLVERINE BRASS, INC.

ENDURANCE SINGLE CONTROL KITCHEN FAUCET

ON-BOARD SPRAY
 85002 - LOOP HANDLE
 85052 - LEVER HANDLE

85000 - LOOP HANDLE LESS SPRAY
 85050 - LEVER HANDLE LESS SPRAY
 85001 - LOOP HANDLE WITH SPRAY
 85051 - LEVER HANDLE WITH SPRAY
 85005 - 10" SPOUT LOOP HANDLE WITH SPRAY



INSTALLATION INSTRUCTIONS:

- 1.) Mount spray hose holder onto sink and secure.
- 2.) Insert spray hose into spray hose holder.
- 3.) Insert faucet supply connections adapters through center mount holes of sink.
- 4.) From bottom side of sink, insert end of spray hose through center sink hole in front of supply connection adapters.
- 5.) Assemble spray hose to end of faucet spray hose shank and tighten.
- 6.) Position faucet in sink. Assemble mount washers and nuts onto faucet mount studs and tighten.
- 7.) Connect supply lines to faucet supply adapters and tighten. CAUTION: A wrench or pliers MUST be used to hold hex on each supply adapter while tightening supply line nuts to prevent damaging the brazed joints or tubing.
- 8.) Remove spout aerator and flush unit thoroughly to remove any line trash.
- 9.) Check all connections for leaks.

HOT LIMIT STOP ADJUSTMENTS:

The hot limit stop is a device that is used to limit the cartridge stem travel to the extreme hot position.

- 1.) Remove handle using 3/32" hex wrench.
- 2.) Remove (gray) hot limit adjustment ring from valve cartridge.
- 3.) Turn valve on and adjust to maximum desired water temperature.
- 4.) Reposition gray hot limit ring so that the ring stop touches the cartridge stop. This will prevent the valve stem from rotating any further towards the full hot position.
- 5.) Re-assemble handle.

