

INSTALLATION INSTRUCTIONS

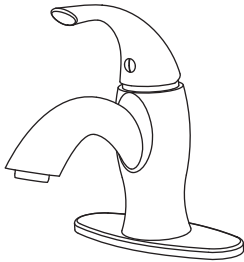
Finale Lavatory Faucet Single Control

85270 Polished Chrome
with Pop-up Drain

85271 Polished Chrome
less Pop-up Drain

85274 Brushed Nickel
with Pop-up Drain

85275 Brushed Nickel
less Pop-up Drain

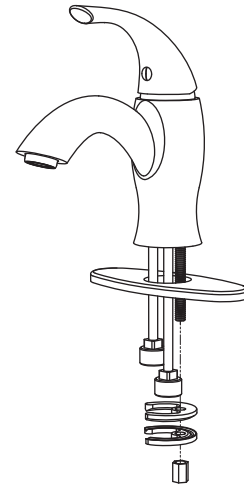


SPECIFICATIONS

- 35mm Ceramic Disc with Hot Temperature Limit Adjustment Ring.
- Cast Brass Body
- 1/2" IPS Threads.
- Polished Chrome Plated Metal Handle. (85270, 85271)
- Brushed Nickel Metal Handle. (85274, 85275)
- Single Control Lever Handle.
- Requires less than 5lb force to operate Handle.
- Temperature Adjustment 90° Full Cold to Full Hot.
- 1.2 GPM (4.5 L/min) Aerator.
- Faucet Body has 15/16" Aerator Threads within Body to accept standard 0.5 GPM and 1.0 GPM Aerators.
- Brass Pop-Up Drain Assembly (85920, 85922)

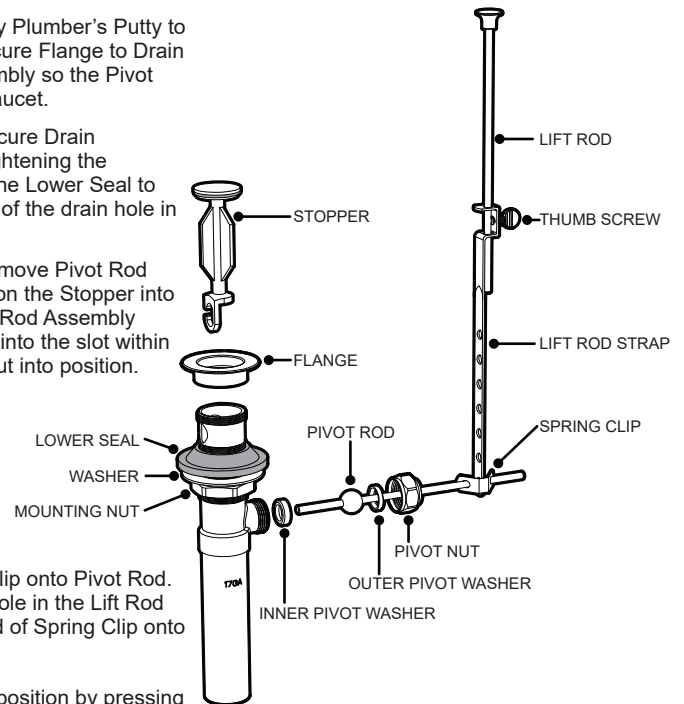
FAUCET INSTALLATION

- 1 Turn OFF water supplies
- 2 Position Faucet on sink
(Install optional deck-plate if desired)
- 3 From underside of sink, assemble Threaded Stud, Rubber Washer, and Metal Washer to Faucet. Secure into position with included Mounting Nut.
- 4 Assemble Water Supply Lines to Faucet. Supply Inlets are 1/2" IPS
- 5 Turn ON Water Supplies and inspect for leaks.



POP-UP DRAIN INSTALLATION

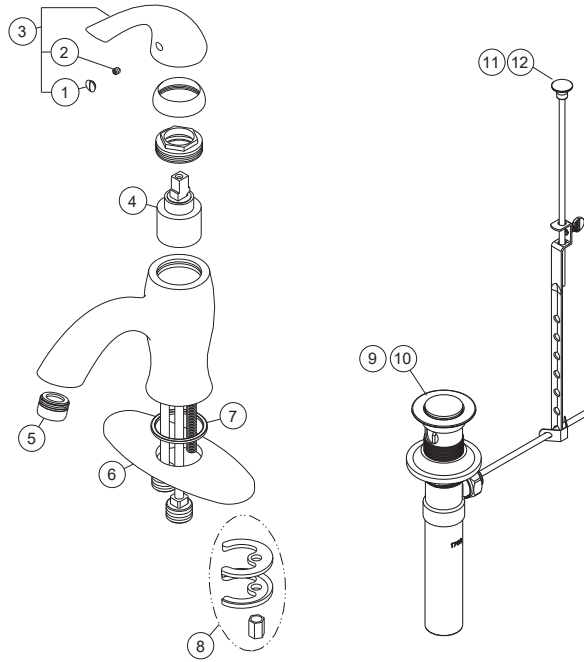
- 1 Remove Stopper and Flange from Drain Assembly
- 2 From beneath the sink, insert Drain Assembly through drain hole in sink.
- 3 From above the sink, apply Plumber's Putty to underside of Flange and secure Flange to Drain Assembly. Align Drain Assembly so the Pivot Rod is facing towards the Faucet.
- 4 From beneath the sink, secure Drain Assembly into position by tightening the Mounting Nut and allowing the Lower Seal to "seal" against the underside of the drain hole in sink.
- 5 Unthread Pivot Nut and remove Pivot Rod Assembly from Drain. Position the Stopper into Drain and reinstall the Pivot Rod Assembly while aligning the Pivot Rod into the slot within the Stopper. Secure Pivot Nut into position.



- 6 Place one end of Spring Clip onto Pivot Rod. Insert Pivot Rod through a hole in the Lift Rod Strap. Secure remaining end of Spring Clip onto the Pivot Rod.
- 7 Place Drain into the open position by pressing downward on the Pivot Rod. Insert Lift Rod into Lift Rod Strap. Adjust the height of the Lift Rod and secure into position by tightening the Thumb Screw.

85270 / 85271 / 85274 / 85275 REPAIR PARTS

ITEM	CATALOG #	DESCRIPTION
1	85102	INDEX BUTTON
2	85101	SET SCREW, HANDLE
3	85186	LEVER HANDLE-CH
3	8518604	LEVER HANDLE-BN
4	85107W	CARTRIDGE & CARTRIDGE SEAL
5	25892	1.2 GPM MALE AERATOR 15/16"-CH
5	2589204	1.2 GPM MALE AERATOR 15/16"-BN
6	85125W	DECK PLATE-CH
6	8512504	DECK PLATE-BN
7	25970	GASKET-SGL HDL DK PLATE
8	85127	MOUNTING NUT/WASHER
9	43267C	COMPLETE POP-UP ASSEMBLY-CH
10	4326704	COMPLETE POP-UP ASSEMBLY-BN
11	2583703	POP-UP LIFT ROD-CH
12	2583704	POP-UP LIFT ROD-BN


85270 / 85271 / 85274 / 85275 ROUGH IN DIAGRAM
COMPLIANCE

ASME A112.18.1 / CSA B125.1
 cUPC certified
 NSF 61/372
 WaterSense
 ADA compliant

CONNECTIONS

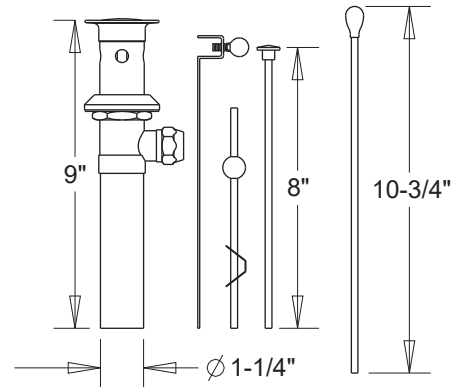
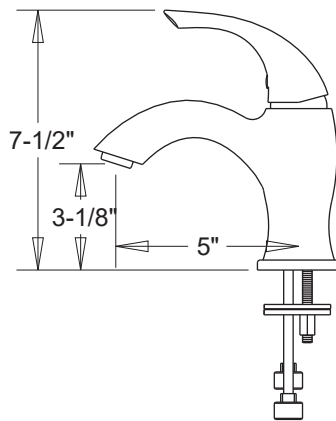
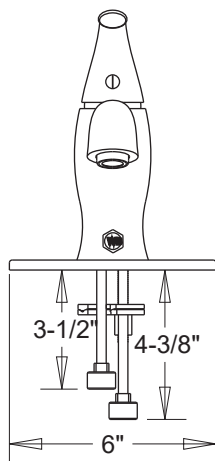
1/2" IPS Inlets

FLOW

1.2 GPM (4.5 L/min)

MOUNTING SURFACE

1-1/4" Max Deck Thickness
 Ø1-1/4" Min Hole Size / Ø1-1/2" Max Hole Size





PRODUCT WARRANTY

With the exception of items listed below, this product has a limited warranty against defects in materials or workmanship for a period of one year from the date of installation.

Exceptions:

- 1.) Faucet stem cartridges have a limited warranty for a period of 100 years from date of manufacture.
- 2.) Product finishes have a limited warranty for a period of 100 years from the date of installation excluding oil rubbed bronze finishes. Failure to follow the cleaning instructions listed below voids all finish warranty. Damage due to accidents or installation is not warranted. This warranty covers replacement of cartridges and finish only and does not include labor charges and/or damage incurred in installation. Finish warranty is not covered if finish is exposed to extreme use of cleaners containing abrasives, alcohol, extreme cleaning, or chemical use, or damage due to abuse or neglect. **Please see cleaning instructions provided with each faucet. This warranty excludes all industrial, commercial, and business usage of faucets and only pertains to residential use. Faucets used for other than residential use are covered by a 1-year limited warranty from the date of purchase.

CLEANING INSTRUCTIONS

USE ONLY A CLEAN, SOFT CLOTH, WATER, AND MILD HAND SOAP TO CLEAN UNIT.

WARNING

Do not use abrasive cleaners, chemicals or abrasive cleaning pads to clean fixture.
A very hard protective coating has been applied to this product to maintain its appearance, but this product could be damaged with improper cleaning.

CALIFORNIA PROPOSITION 65



CALIFORNIA PROPOSITION 65:

WARNING: This product can expose you to chemicals including lead, which is known to the State of California to cause cancer and birth defects or other reproductive harm. For more information go to www.P65Warnings.ca.gov.

Wash hands after installation, repair, or removal of this product.

NEED HELP?

For additional assistance or service please contact:



800-944-9292



www.wolverinebrass.com