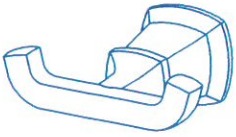


WB WOLVERINEBRASS ARCHITEC™ TEE CLOTHES HOOK INSTALLATION



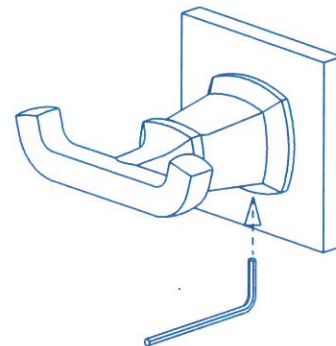
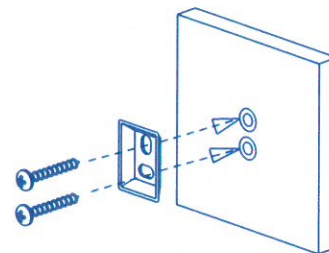
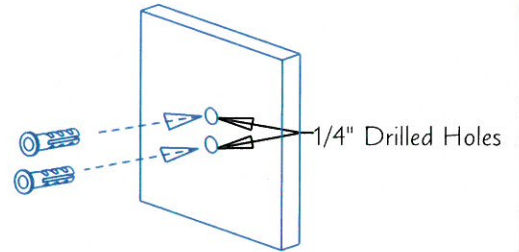
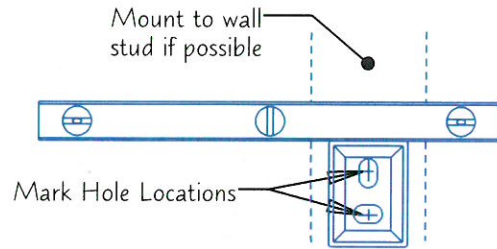
81651 - CHROME
81652 - BRUSH NICKEL
81653 - MATTE BLACK

- 1.) For the most secure installation try to mount to a wall stud. Use a stud finder to locate a wall stud behind the finished wall.
- 2.) Place mounting bracket on wall at desired location using a level to make sure bracket is level and mark hole locations on wall to be drilled.

- 3.) Drill 1/4" holes in wall at the marked locations.
- 4.) Insert wall anchors and tap in flush with finished wall using a hammer or screw driver handle.

- 5.) Assemble mounting bracket to wall with 1-1/8" screws using a Phillips Head screwdriver.

- 6.) Place clothes hook on the mounting bracket and tighten set screw using the included (2.5mm) Hex Wrench.



CLEANING INSTRUCTIONS

USE ONLY A CLEAN, SOFT, CLOTH, WATER, AND MILD HAND SOAP TO CLEAN UNIT.
WARNING: Do not use abrasive cleaners, chemicals, or abrasive cleaning pads to clean fixture.

⚠ WARNING: This product contains one or more chemicals, including lead, known to the State of California to cause cancer and birth defects or other reproductive harm. Wash hands after installation, repair, or removal of this product.