

WOLVERINE BRASS, INC.

FINALE TWIN HANDLE LAVATORY FAUCET

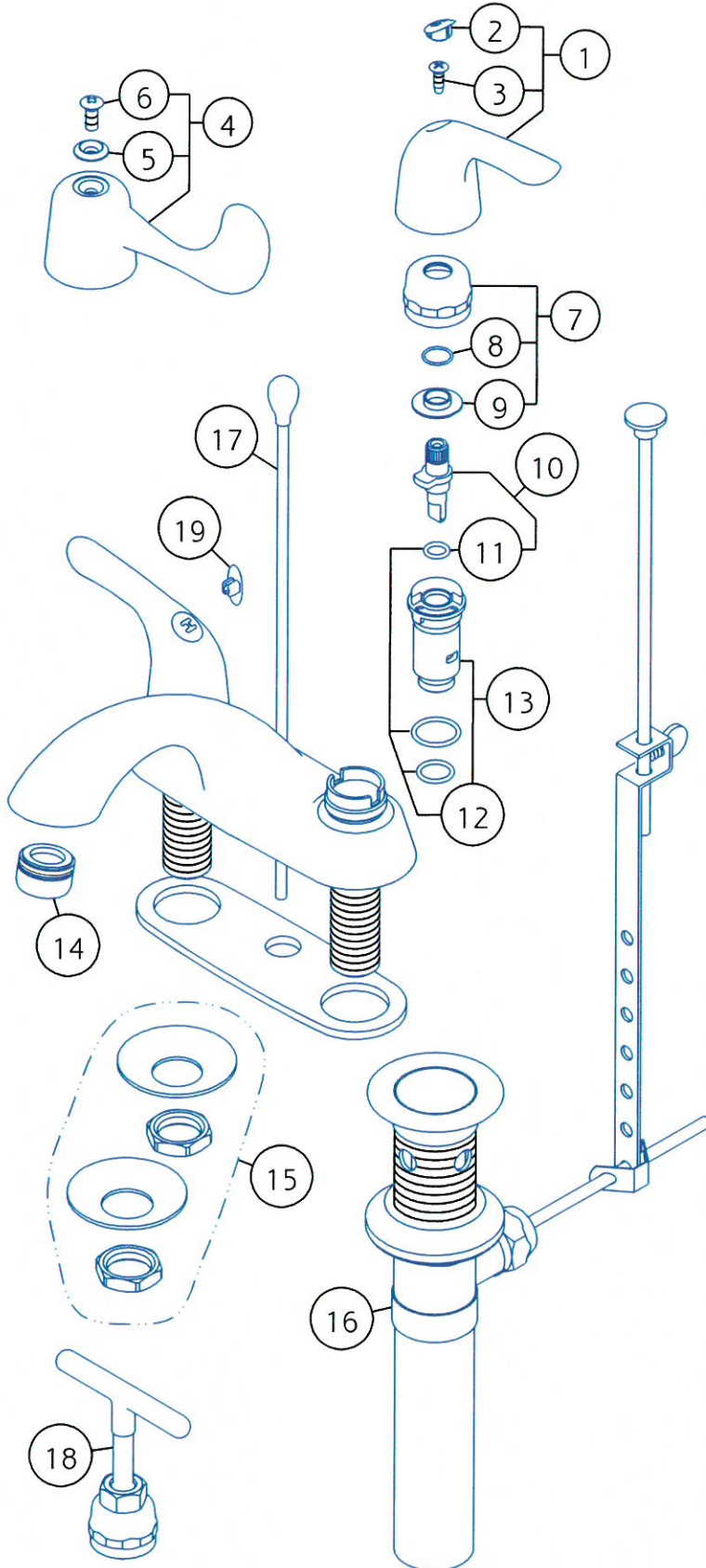


LESS POP-UP

FC00350 - LEVER HANDLES-CH
 FC00450 - LEVER HANDLES-BN
 FC00340 - CANOPY WRISTBLADE HANDLES-CH

WITH POP-UP

FC01350 - LEVER HANDLES-CH
 FC01450 - LEVER HANDLES-BN
 FC01340 - CANOPY WRISTBLADE HANDLES-CH



ITEM	CATALOG #	DESCRIPTION
1	MF00053	LEVER HANDLE PAIR-CH
1	MF00054	LEVER HANDLE PAIR-BN
2	24417	INDEX BUTTON HOT-CH
2	24418	INDEX BUTTON COLD-CH
2	2441704	INDEX BUTTON HOT-BN
2	2441804	INDEX BUTTON COLD-BN
3	24909	SELF TAPPING SCREW 8-32x1/2"
4	MF00043	CANOPY WRISTBLADE HDL. PAIR-CH
5	25615	RED INDEX HANDLE SCREW RING
5	25616	BLUE INDEX HANDLE SCREW RING
6	23887	SCREW 8-32x1/2" OVAL-CH
7	42366	CAP NUT, STEM HAT, O-RING
8	25859	STEM HAT O-RING
9	25747	VALVE CARTRIDGE STEM HAT
10	57613	STEM PAIR-HOT/COLD-PLATED BRASS
10	53573	STEM-HOT-PLATED BRASS
10	53574	STEM-COLD-PLATED BRASS
11	0025750	VALVE CARTRIDGE STEM O-RING
12	42385	3 O-RINGS
13	53571	CARTIDGE ASSEMBLY HOT OR COLD
14	25892	1.2 GPM MALE AERATOR-CH
14	2589204	1.2 GPM MALE AERATOR-BN
14	25722	1.5 GPM MALE AERATOR-CH
14	2572204	1.5 GPM MALE AERATOR-BN
15	42582	MTG NUTS/WASHERS BAG
16	MF01000	POP-UP ASSEMBLY-CH
16	MF04000	POP-UP ASSEMBLY-BN
17	2583703	POP-UP LIFT ROD-CH
17	2583704	POP-UP LIFT ROD-BN
18	55729W	CARTRIDGE PULLER, 2 HANDLE FCT.
19	25989	POP-UP ROD HOLE BUTTON-CH
19	2598904	POP-UP ROD HOLE BUTTON-BN