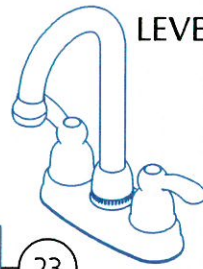


# WOLVERINE BRASS, INC.

## ESSENCE TWIN HANDLE SWING SPOUT BAR FAUCET



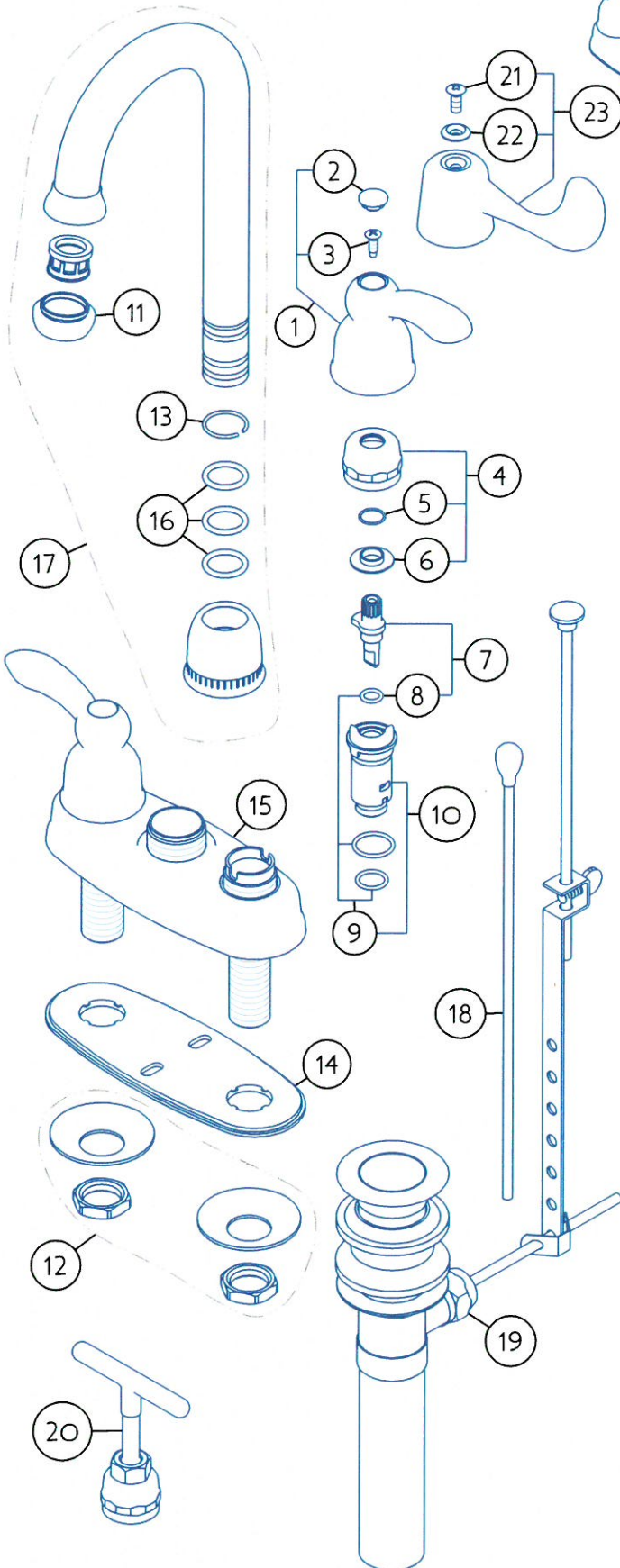
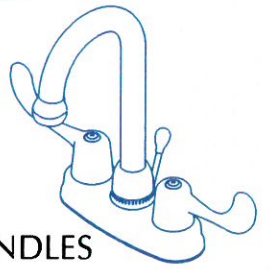
LEVER HANDLES LESS POP-UP

ESBO360 - CH

ESBO460 - BN

ESB1340 - CH

CANOPY WRISTBLADE HANDLES  
WITH POP-UP



ITEM	CATALOG #	DESCRIPTION
1	ES00003	ESSENCE LEVER HANDLE H/C-CH
1	ES00004	ESSENCE LEVER HANDLE H/C-BN
2	42196	INDEX BUTTONS H/C-WH 25810/25811
2	42194	INDEX BUTTONS H/C-CH 25810C/25811C
2	42195	INDEX BUTTONS H/C-BN 25810BN/25811BN
3	24909	SELF TAPPING SCREW 8-32x1/2"
4	42366	CAPNUT, STEM HAT, O-RING
5	25859	STEM HAT O-RING
6	25747	VALVE CARTRIDGE STEM HAT
7	57613	STEM PAIR-HOT/COLD-PLATED BRASS
7	53573	STEM-HOT-PLATED BRASS
7	53574	STEM-COLD-PLATED BRASS
7	*57612	STEM PAIR-HOT/COLD DELRIN
7	*58612	STEM-HOT/BLACK DELRIN
7	*58613	STEM-COLD/WHITE DELRIN
8	0025750	VALVE CARTRIDGE STEM O-RING
9	42385	3 O-RINGS
10	53571	CARTIDGE ASSEMBLY HOT OR COLD
11	2583503	AERATOR TRIM RING-CH
11	2583504	AERATOR TRIM RING-BN
12	42582	MTG NUTS/WASHERS BAG
13	25986	SPOUT NUT SNAP RING
14	25988	TWIN HANDLE PUTTY PLATE
15	25982	TWIN HANDLE COVER-CH
15	2598204	TWIN HANDLE COVER-BN
15	25981	TWIN HANDLE COVER (FOR POP-UP)-CH
16	0443509	O-RING 11/16 IDx3/32 WALL
17	ES00030	SWING SPOUT-CH
17	ES00040	SWING SPOUT-BN
18	2583703	POP-UP LIFT ROD-CH
19	MF01000	POP-UP ASSEMBLY-CH
20	55729W	CARTRIDGE PULLER, 2 HANDLE FCT.
21	23887	SCREW 8-32x1/2" OVAL-CH
22	25615	RED INDEX HANDLE SCREW RING
22	25616	BLUE INDEX HANDLE SCREW RING
23	MF00043	4" CANOPY WRISTBLADE HANDLE

\*ORIGINAL EQUIPMENT DIFFERS FROM REPAIR PART.