



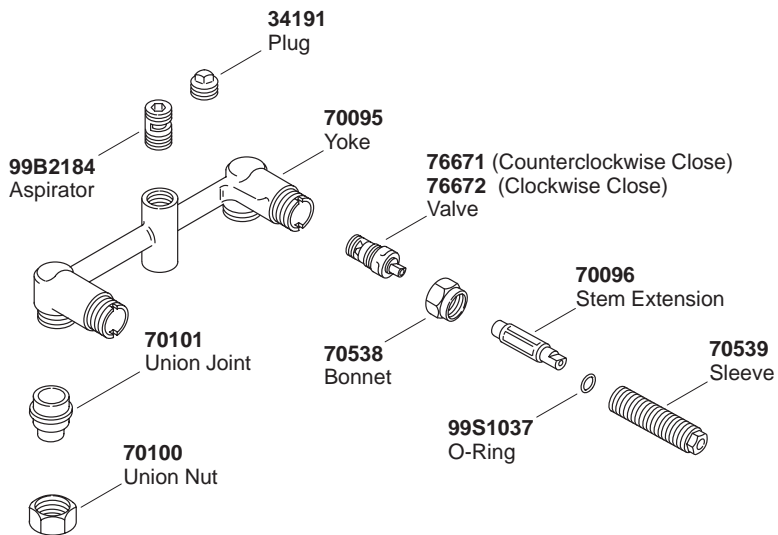
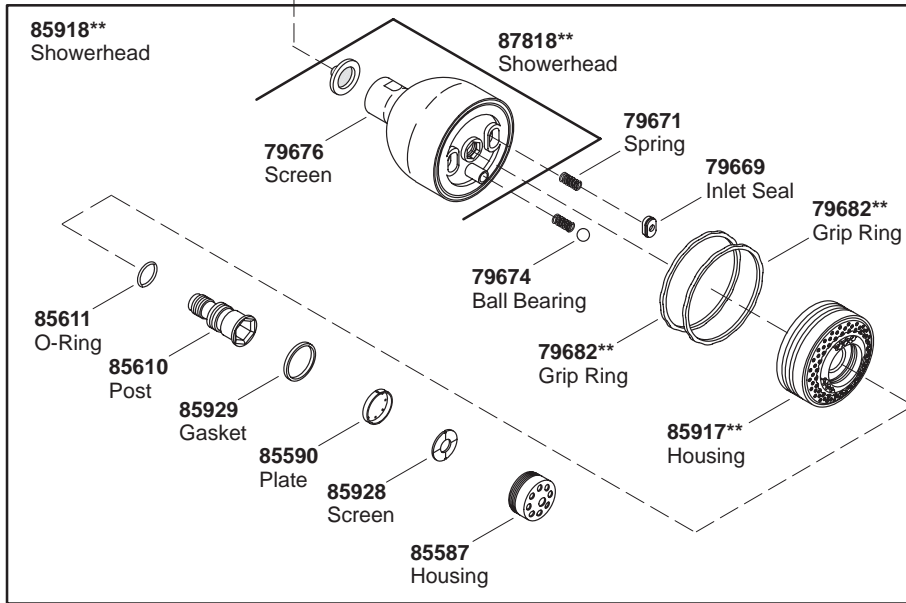
SERVICE PARTS

G U I D E

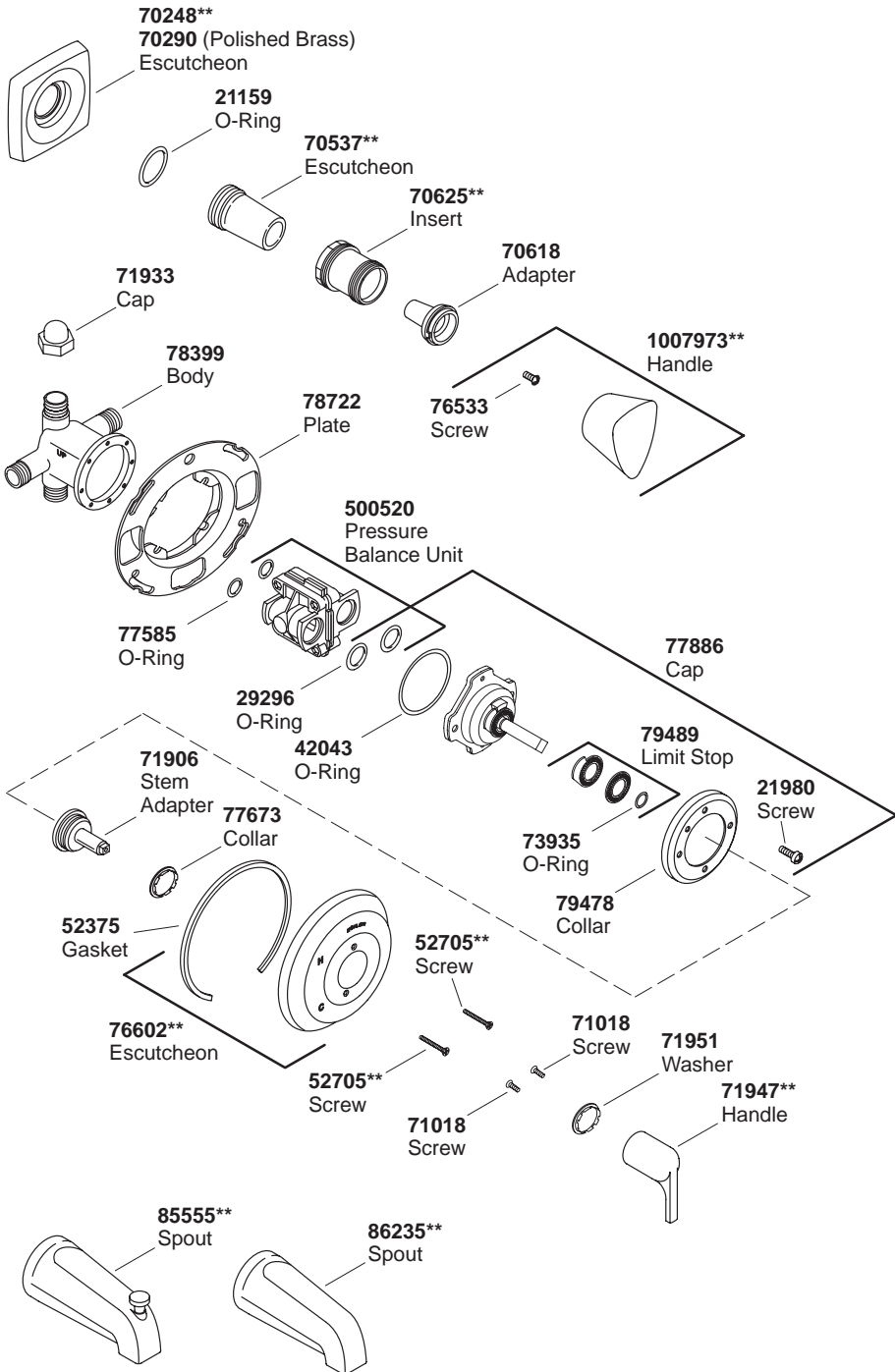
BODYSPA™
CORALAIS™
WALL-MOUNT
FAUCET KIT

For model numbers, see last page.

THE BOLD LOOK
OF **KOHLER**®

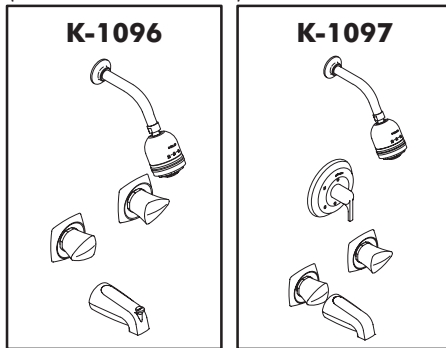


****Finish/color code must be specified when ordering.**



****Finish/color code must be specified when ordering.**

Mexico faucets and fittings have an **M** after the first sequence of numbers (such as K-12345**M**).



CALL US FOR HELP

Questions? Problems? For additional assistance, call our Customer Service Department for direct help. You may also contact us at our web site listed below.

In the U.S.A., call 1-800-4-KOHLER

In Mexico, call 001-877-680-1310

In Canada, call 1-800-964-5590

THE BOLD LOOK
OF **KOHLER**[®]
www.kohler.com