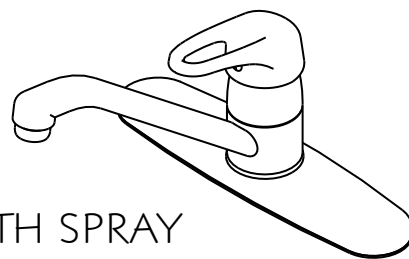


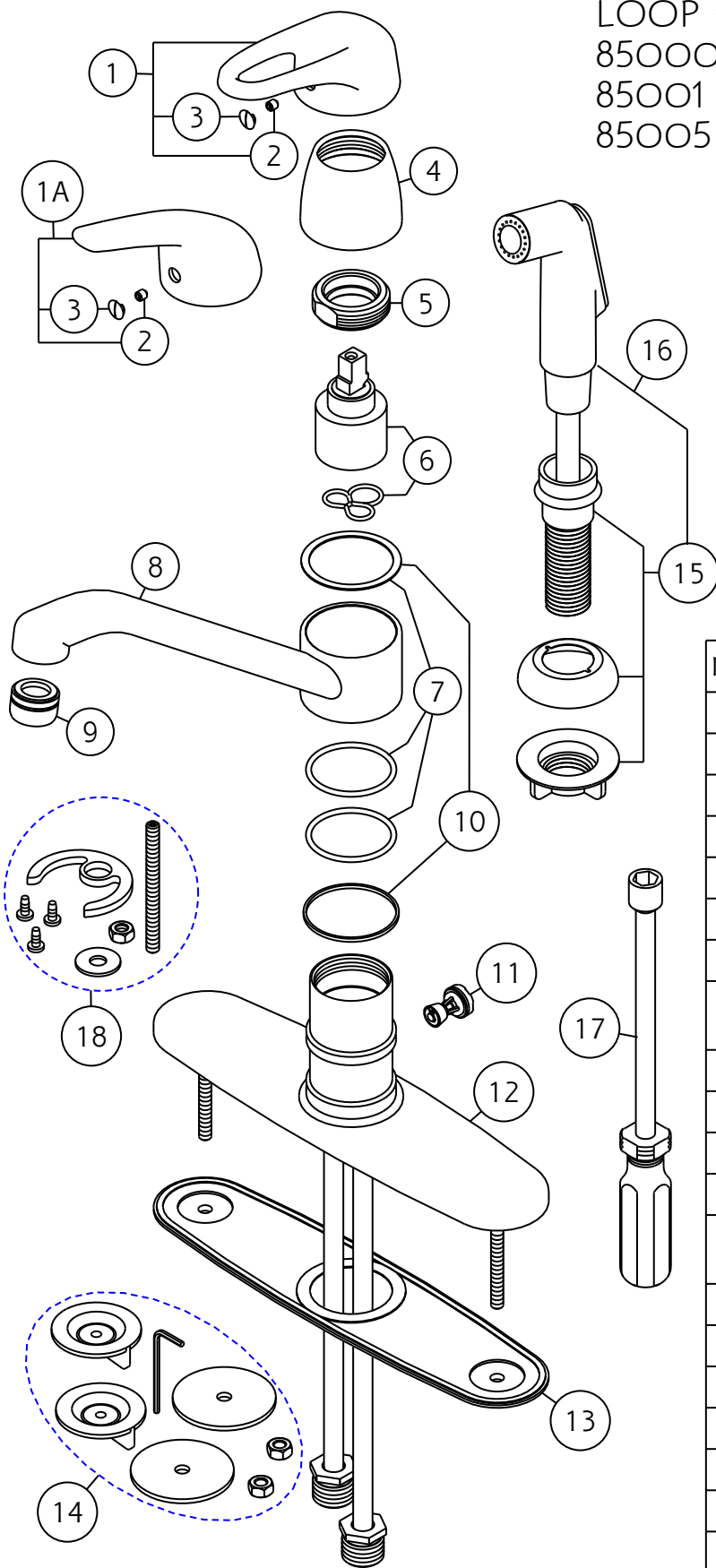
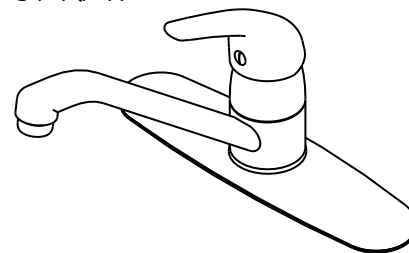
WOLVERINE BRASS, INC.

ENDURANCE KITCHEN SINGLE CONTROL

LOOP HANDLE
 85000 LESS SPRAY
 85001 WITH SPRAY
 85005 10" SPOUT WITH SPRAY



LEVER HANDLE
 85050 LESS SPRAY
 85051 WITH SPRAY



ITEM	CATALOG #	DESCRIPTION
1	85100	LOOP HANDLE-CH
1A	85150	LEVER HANDLE-CH
2	85101	HANDLE SCREW
3	85102	INDEX BUTTON
4	85103W	CAP NUT-CH
5	85106W	CARTRIDGE RETAINING RING
6	85107W	S/C CARTRIDGE ASSEMBLY
7	85109	2-ORANGE HUB O-RINGS 1-FRICTION WASHER-TOP OF HUB
8	85104W	9" OVAL SPOUT ASSEMBLY
8	85120	10" OVAL SPOUT ASSEMBLY
9	51036	1.8 GPM MALE AERATOR
9	51031	2.2 GPM MALE AERATOR
10	85105	1-SPOUT HUB FRICTION WASHER 1-FRICTION WASHER-TOP OF HUB
11	85110W	SPRAY DIVERTER
12	25956	DECK COVER
13	85325	DECK PLATE GASKET
14	85111	MOUNTING BAG ASSEMBLY
15	42267	HOSE HOLDER (PLASTIC)-CH
16	42691	HOSE AND HEAD ASSEMBLY-CH
17	55730W	9-1/2" NUT DRIVER
18	85055	MTG KIT-S/C KIT SGL. HOLE