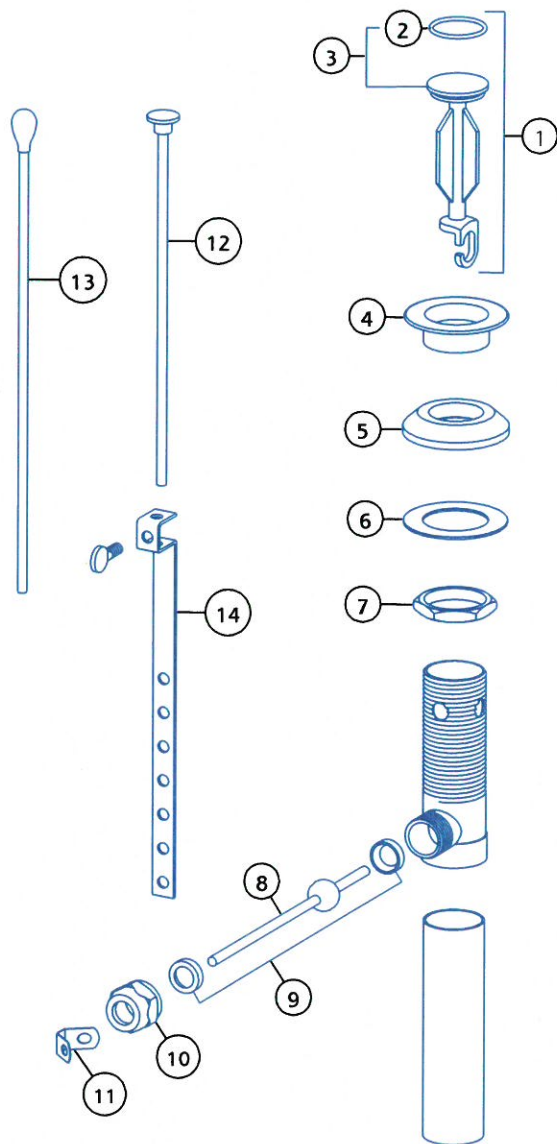


# WOLVERINE BRASS, INC.

## BRASS POP-UP ASSEMBLY REPAIR PARTS

50660 - CHROME  
MFO4000 - BRUSH NICKEL  
MFO5000 - OIL RUB BRONZE



| ITEM | CATALOG # | DESCRIPTION                 |
|------|-----------|-----------------------------|
| 1    | 80051     | POP-UP STOPPER - CH         |
| 1    | 8005104   | POP-UP STOPPER - BN         |
| 1    | 8005105   | POP-UP STOPPER - ORB        |
| 2    | 80045     | POP-UP CAP O-RING           |
| 3    | CP00060   | POP-UP CAP w/O-RING - PB    |
| 3    | CP00080   | POP-UP CAP w/O-RING - CH    |
| 3    | CP00044   | POP-UP CAP w/O-RING - BN    |
| 3    | CP00055   | POP-UP CAP w/O-RING - ORB   |
| 4    | 8004601   | POP-UP FLANGE - PB          |
| 4    | 8004603   | POP-UP FLANGE - CH          |
| 4    | 8004604   | POP-UP FLANGE - BN          |
| 4    | 8004605   | POP-UP FLANGE - ORB         |
| 5    | 51522     | RUBBER MACK GASKET          |
| 6    | 80047W    | STEEL MOUNT WASHER          |
| 7    | 80048     | BRASS MOUNT NUT             |
| 8    | 80054     | POP-UP BALL ROD - CH        |
| 9    | 80053     | (2) - POP-UP BALL ROD SEATS |
| 10   | 80058W    | BALL JOINT NUT - CH         |
| 11   | 80055     | BALL ROD SPRING CLIP        |
| 12   | 80057     | LIFT ROD & KNOB - CH        |
| 13   | CP00010   | LIFT ROD & KNOB - PB        |
| 13   | CP00030   | LIFT ROD & KNOB - CH        |
| 13   | CP00040   | LIFT ROD & KNOB - BN        |
| 13   | CP00050   | LIFT ROD & KNOB - ORB       |
| 14   | 80056     | LIFT ROD STRAP & SCREW      |

CH - CHROME  
BN - BRUSH NICKEL  
PB - POLISH BRASS  
ORB - OIL RUB BRONZE