

# WOLVERINE BRASS, INC.

## ESSENCE TWIN HANDLE SWING SPOUT BAR FAUCET

### FAUCET CONSTRUCTION:

- CERAMIC DISK CARTRIDGES.
- MACHINED BRASS BODY WITH K COPPER WATERWAYS.
- SOLID BRASS POP-UP ASSEMBLY.
- ZAMAC#3 CHROME PLATED METAL HANDLES AND DECK PLATE.
- 1/2" IPS THREADED BRASS SHANKS 4" ON CENTERS.
- CHROME PLATED BRASS SWING SPOUT AND SPOUT NUT.

### OPERATION:

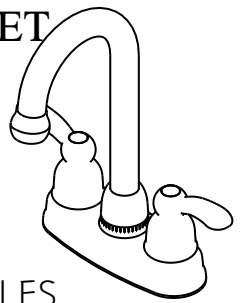
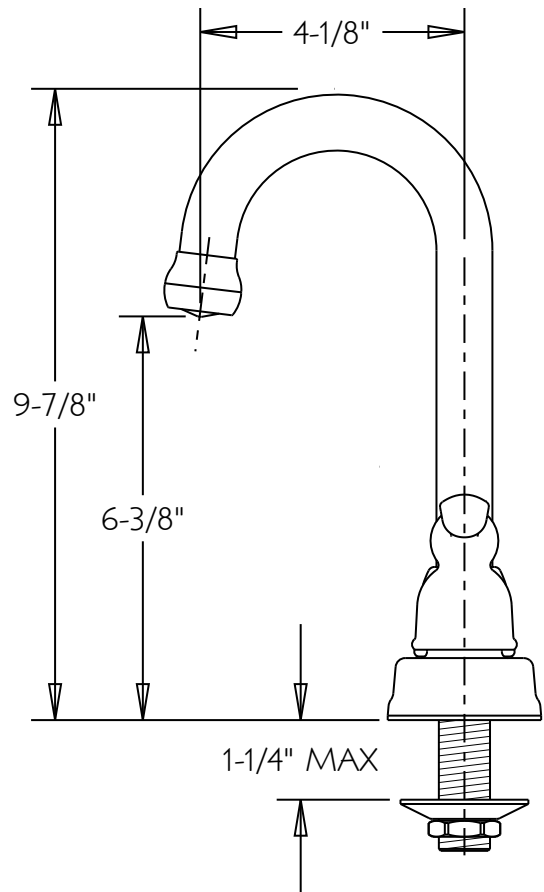
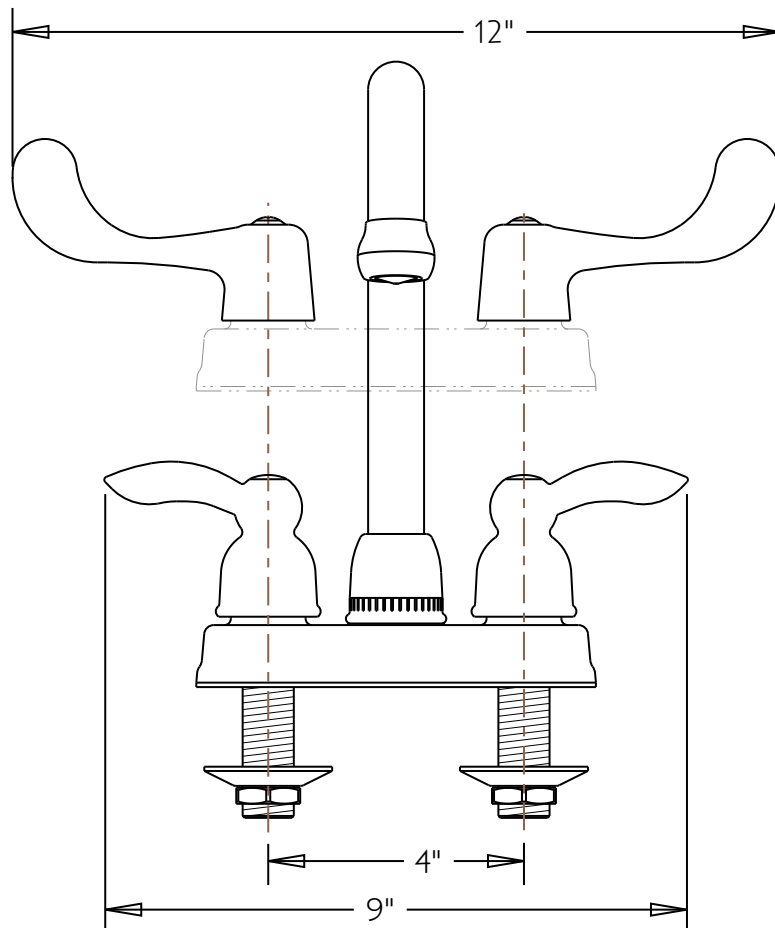
- TWIN LEVER OR CANOPY WRIST BLADE HANDLES.
- REQUIRES LESS THAN 5 LB FORCE TO OPERATE VALVE.
- 90° TURN FROM FULL OFF TO FULL ON.
- 1.2 GPM (4.5 L/min) AERATOR.

### STANDARDS:

- DESIGNED AND MANUFACTURED TO COMPLY WITH CSA B-125, ASME A112.18.1M, NSF AND ADA STANDARDS.
- LOW LEAD COMPLIANT (0.25% Pb MAX).

### MOUNTING SURFACE REQUIREMENTS:

- SURFACE THICKNESS 1-1/4" MAXIMUM.
- LESS POP-UP - TWO (7/8" MIN TO 1-1/4" MAX DIA.) HOLES 4" ON CENTERS.
- WITH POP-UP - THREE (7/8" MIN TO 1-1/4" MAX DIA.) HOLES 2" ON CENTERS.



LEVER HANDLES  
 ESBO360 - CHROME  
 ESBO460 - BRUSH NICKEL

WRIST BLADE HANDLES  
 WITH POP-UP  
 ESB1340 - CHROME

