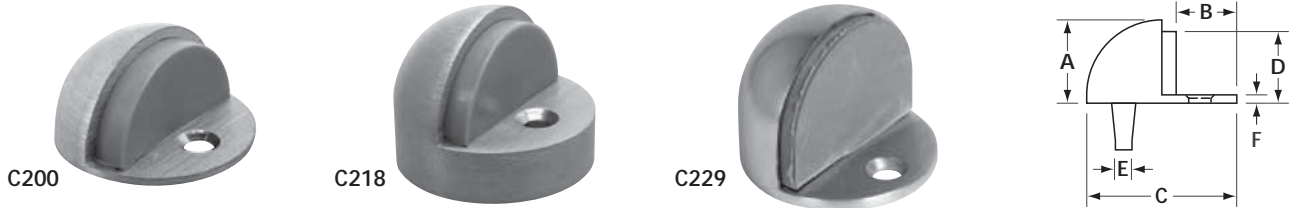


# DOOR STOPS & HOLDERS

## DOOR TRIM & ACCESSORIES

**PARAMOUNT**

### DOME DOOR STOPS

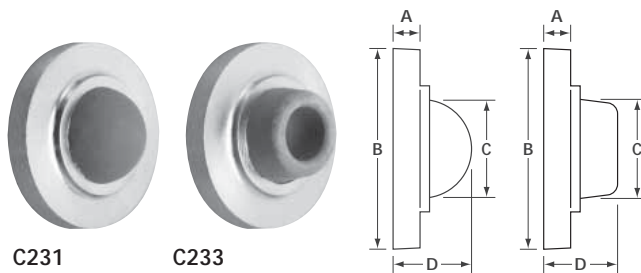


• Mounting hardware included

• Finish: satin chrome (26D)

MODEL NUMBER	MATERIAL	FINISH	A	B	C DIA	D	E DIA	F	QTY PER BOX	WEIGHT LBS / KG	
C200	Zinc die-cast	26D	15/16 (24)	1 1/16 (17)	1 3/4 (44.5)	27/32 (21)	9/32 (7.1)	3/32 (2.4)	10	1.5 / 0.7	
C218			1 5/16 (33)			1 7/32 (31)	1/4 (6.4)	15/32 (12)			1.8 / 0.8
C229			1 7/16 (36.5)			1 3/8 (35)	7/32 (5.6)	1/8 (3.2)			

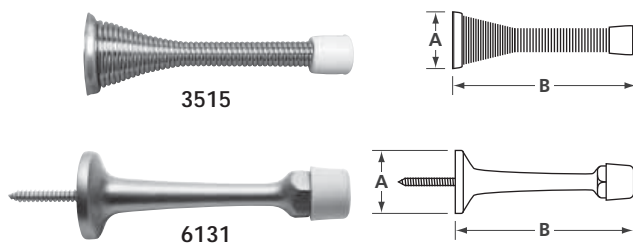
### CONVEX & CONCAVE WALL STOPS



• Wall mounting bracket and mounting screws included  
• Finish: satin chrome (26D)

MODEL NUMBER	MATERIAL	FINISH	A	B	C	D	QTY PER BOX	WEIGHT LBS / KG
C231	Zinc die-cast	26D	11/32 (8.7)	2 1/2 (63.5)	1 5/16 (33.3)	1 (25.4)	10	2.0 / 0.9
C233					1 1/8 (29)	15/16 (23.3)		

### WALL MOUNTED DOOR STOPS



• #3515: Mounting screw included (wood screw)  
• Finish: satin nickel (15)

• #6131: Screw-in type door stop (wood screw)  
• Finish: satin nickel (15)

MODEL NUMBER	MATERIAL	FINISH	A DIA	B	QTY PER BOX	BOX WEIGHT LBS / KG
3515	Steel	15	15/16 (23.8)	3 (76)	50	26.0 / 11.8
6131	Solid Brass		1 (25.4)			

ORDERING EXAMPLE: **C200** SERIES | **-26D** FINISH

15 – Satin nickel 26D – Satin chrome

Dimensions unless specified otherwise are: Inches (Millimeters)

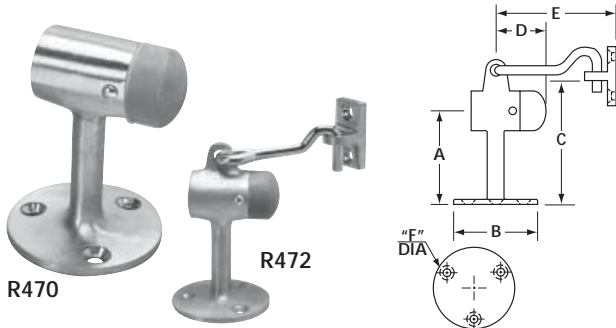
www.paramounthardware.com

# DOOR STOPS & HOLDERS

## DOOR TRIM & ACCESSORIES

**PARAMOUNT**

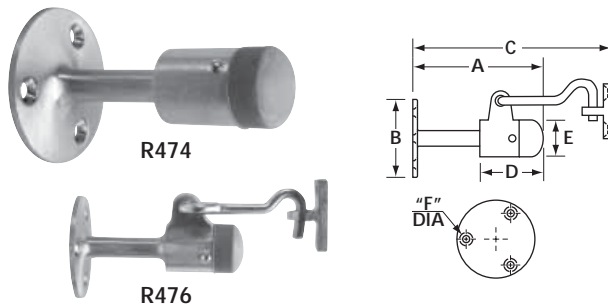
### FLOOR MOUNTED DOOR STOP



- Mounting hardware included
- Finish: polished brass (3) and satin chrome (26D)
- Replacement rubber tip available

MODEL NUMBER	MATERIAL	FINISH	A	B DIA	C	D	E	F DIA	QTY PER BOX	BOX WEIGHT LBS / KG
R470	Brass	26D, 3	2 1/2 (64)	2 3/16 (55)	N/A	1 5/16 (33.7)	N/A	3/16 (5)	12	4.8 / 2.2
R472					3 5/16 (33.3)		2-3/4 (5)		10	

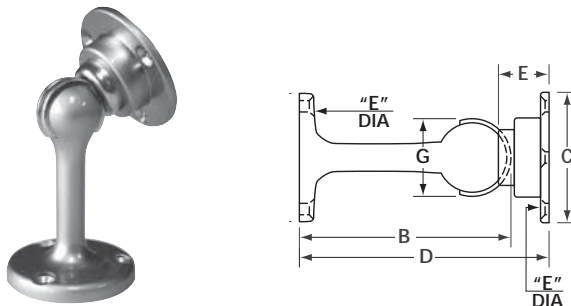
### WALL MOUNTED DOOR STOP



- Mounting hardware included
- Finish: polished brass (3) and satin chrome (26D)
- Replacement rubber tip available

MODEL NUMBER	MATERIAL	FINISH	A	B DIA	C	D	E	F DIA	QTY PER BOX	BOX WEIGHT LBS / KG
R474	Brass	26D, 3	3 1/2 (89)	2 3/16 (55)	N/A	1 3/4 (44)	1 (25.4)	3/16 (5)	12	4.8 / 2.2
R476					2 3/4 (70)				10	

### MAGNETIC DOOR HOLDER AND STOP



- Magnetic door holder with holding force of 12.5lbs
- Floor or wall mountable holder and stop
- Mounting screws included (wood screws)
- Finish: satin nickel (15), satin chrome (26D), polished brass (3)

MODEL NUMBER	MATERIAL	FINISH	A	B	C DIA	D	E	QTY PER BOX	WEIGHT LBS / KG
SMDH	Zinc die-cast	15, 26D, 3	1 3/4 (45)	2 3/4 (69)	1 13/16 (46)	3 3/8 (86)	11/16 (17.8)	10	3.6 / 1.6

ORDERING EXAMPLE: **R470** SERIES | **-26D** FINISH

3 – Polished brass 15 – Satin Nickel 26D – Satin chrome

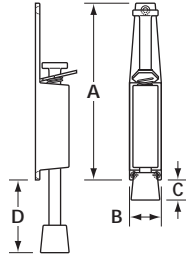
Dimensions unless specified otherwise are: Inches (Millimeters)

# DOOR STOPS & HOLDERS

## DOOR TRIM & ACCESSORIES

**PARAMOUNT**

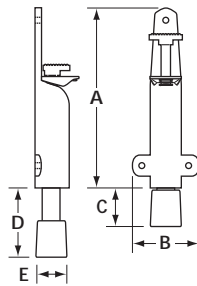
### PLUNGER TYPE DOOR HOLDER



- Replacement rubber tip available
- Finish: silver lacquer paint (SL)

MODEL NUMBER	MATERIAL	FINISH	A	B	C MIN	D MAX	QTY PER BOX	WEIGHT LBS / KG
1015.02	Zinc die-cast	SL	6 1/2 (165)	1 3/16 (30.2)	7/16 (11.1)	2 3/8 (60)	6	6.3 / 1.6

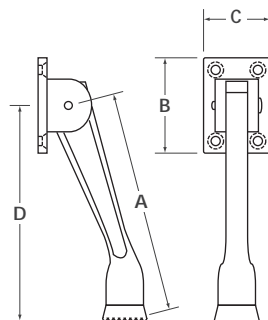
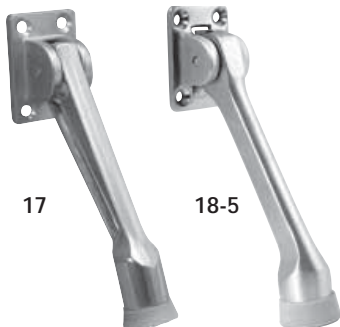
### PLUNGER TYPE DOOR HOLDER



- Replacement rubber tip available
- Finish: silver lacquer paint (SL)

MODEL NUMBER	MATERIAL	FINISH	A	B	C MIN	D MAX	E	WEIGHT LBS / KG
1026.02	Steel	SL	6 3/4 (172)	2 1/2 (63.5)	1 1/2 (38.1)	2 3/4 (70)	1 1/8 (28.6)	0.8 / 0.4

### DROP DOWN DOOR HOLDER



- Mounting screws included
- Replacement rubber tips available:  
#17REP  
#18REP
- Finish: satin chrome (26D), polished brass (3)

MODEL NUMBER	MATERIAL	FINISH	A	B	C	D	PER BOX	WEIGHT LBS / KG
17	Zinc die-cast	26D, 3	5 (127)	2 (51)	1 3/8 (34.5)	4 3/4 (120)	10	4.8 / 2.2
18-5	Brass					12		

ORDERING EXAMPLE: **18-5** SERIES | **-26D** FINISH

SL – Silver lacquer 26D – Satin chrome 3 – Polished brass

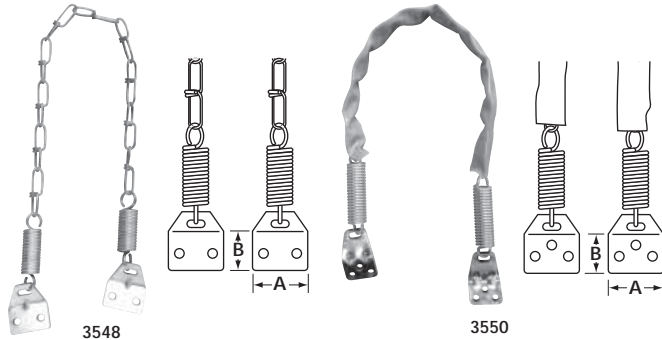
Dimensions unless specified otherwise are: Inches (Millimeters)

# DOOR STOPS & HOLDERS

## DOOR TRIM & ACCESSORIES

**PARAMOUNT**

### RESIDENTIAL CHECK CHAIN

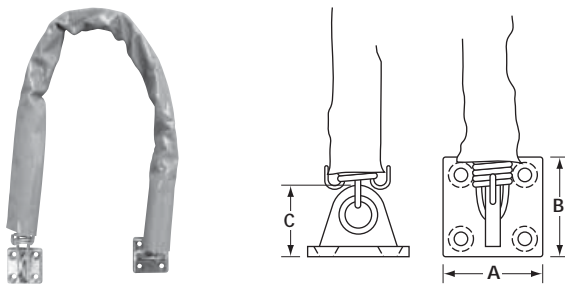


- Two tension coil springs
- Stamped steel mounting brackets
- Mounting hardware included: self-tapping screws
- Finish: zinc plated (2G)

#3550 includes grey vinyl cover, with two expansion springs

MODEL NUMBER	MATERIAL	FINISH	DUTY	FREE LENGTH	A	B	PER BOX	BOX WEIGHT LBS / KG
3548	Steel	2G	Light	20 (508)	1 5/16 (33.3)	7/8 (22.2)	25	2.4 / 1.1
3550			Standard	22 1/2 (572)	1 1/4 (31.8)	1 1/8 (28.5)	10	4.4 / 2.0

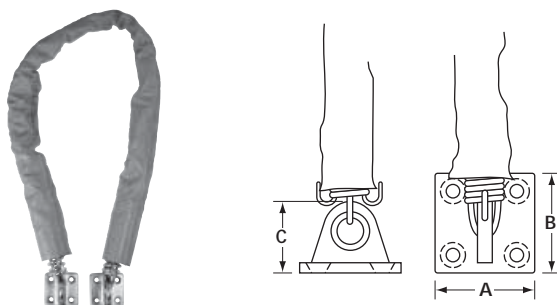
### HEAVY-DUTY COMMERCIAL CHECK CHAIN



- Heavy-duty welded chain
- Two compression coil springs
- Zinc die-cast mounting brackets
- Grey vinyl cover
- Mounting hardware included: self-tapping screws
- Finish: zinc plated (2G)

MODEL NUMBER	MATERIAL	FINISH	FREE LENGTH	A	B	C	PER BOX	BOX WEIGHT LBS / KG
3560	Steel, Zinc die-cast	2G	25 1/2 (648)	1 9/16 (39.7)	1 9/16 (39.7)	1 1/8 (28.6)	6	5.8 / 2.6
3561			30 1/2 (775)					6.6 / 3.0

### EXTRA HEAVY-DUTY COMMERCIAL CHECK CHAIN



- Extra heavy-duty welded steel chain
- Two heavy-duty coil springs with stainless steel linkage
- Brass die-cast mounting brackets
- Grey textured vinyl cover
- Mounting hardware included: self-tapping screws
- Finish: satin chrome (26D)

MODEL NUMBER	MATERIAL	FINISH	FREE LENGTH	A	B	C	PER BOX	BOX WEIGHT LBS / KG
3562	Steel, Brass	26D	30 (762)	1 9/16 (39.7)	1 9/16 (39.7)	1 3/16 (30.2)	6	7.2 / 3.3

ORDERING EXAMPLE: **3560** SERIES | **-26D** FINISH

26D – Satin chrome 2G – Zinc plated

Dimensions unless specified otherwise are: Inches (Millimeters)

www.paramounthardware.com