

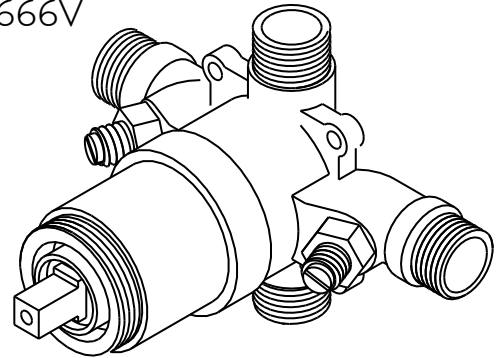
WOLVERINE BRASS, INC.

TUB & SHOWER BODY PRESSURE BALANCE VALVE - COMPACT

85666V

CONSTRUCTION:

- FORGED BRASS BODY
- 35mm CERAMIC DISK PRESSURE BALANCE CARTRIDGE WITH HOT LIMIT ADJUSTMENT RING.
- BUILT IN INTEGRAL STOPS.
- 1/2" MIP AND COPPER SWEAT CONNECTIONS.

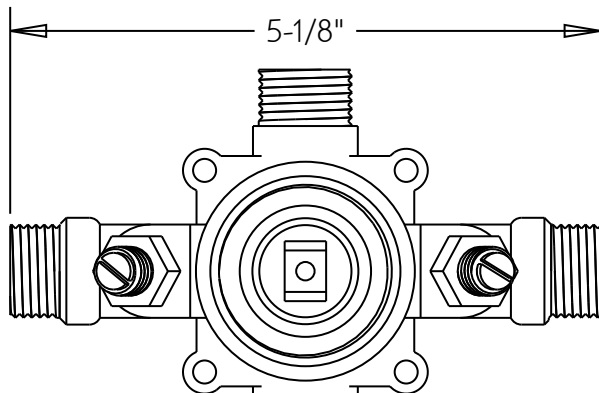


OPERATION:

- TEMP. ADJUSTMENT 90° FROM FULL HOT TO FULL COLD.

STANDARDS:

- IAPMO/UPC CERTIFIED TO:
 - ASME A112.18.1-2012/CSA B125.2
 - ASSE 1016



1/2" MIP AND
COPPER SWEAT CONNECTIONS
4 PLACES

