

MODELS:

- 99600: WB Press - 90 Deg Copper Elbow - 3/4" CxC
- 99601: WB Press - 90 Deg Copper Street Elbow - 3/4" FTGxC
- 99602: WB Press - 90 Deg Copper Elbow - 1/2" CxC
- 99603: WB Press - 90 Deg Copper Street Elbow - 1/2" FTGxC
- 99604: WB Press - 90 Deg Copper Elbow - 1" CxC
- 99605: WB Press - 90 Deg Copper Street Elbow - 1" FTGxC

FEATURES:

- Lead Free Construction
- Leak prevention EPDM O-Ring
- Compatible with Milwaukee(r) M12(tm) and M18(tm) Press Tools
- Maximum Pressure: 200 PSI
- Temperature Range: 32° F to 200° F depending on application

STANDARDS:

- ASME B16.51-2018
- NSF/ANSI 61

WARRANTY:

Visit www.wolverinebrass.com for full product warranty information

- 1 Year Limited Warranty



Information continues on next page

All dimensions are in inches (millimeters) unless otherwise specified and are subject to change without notice.

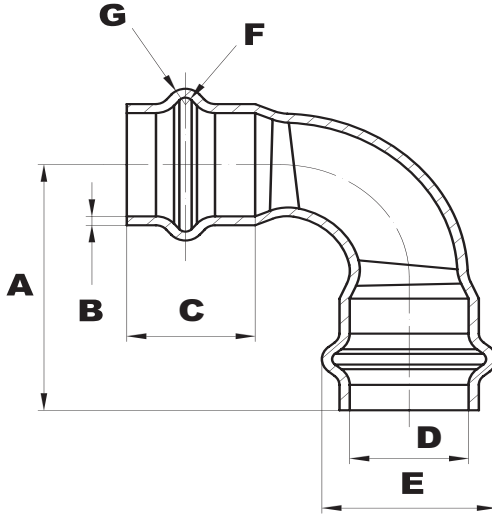
Architect/Engineer Approval Space:

P: 800-944-9292
W: WOLVERINEBRASS.COM
R: 01-NOVEMBER 2019

PRESS 90 DEG ELBOW

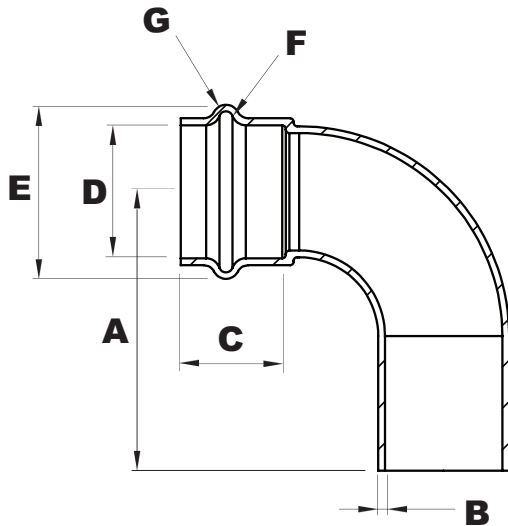
90 DEG ELBOW

ITEM NO.	SIZE (IN.)	DIMENSIONS (IN.)						
		A	B	C	D	E	F	G
99602	1/2	1.52	.055	.689	.630	.941	.043	.098
99600	3/4	1.68	.055	.875	.889	1.228	.063	.118
99604	1	2.22	.055	.875	1.13	1.476	.063	.118



90 DEG STREET ELBOW

ITEM NO.	SIZE (IN.)	DIMENSIONS (IN.)						
		A	B	C	D	E	F	G
99603	1/2	1.61	.055	.771	.628	.939	.043	.098
99601	3/4	2.035	.055	.930	.881	1.233	.063	.118
99605	1	2.33	.055	.930	1.14	1.488	.063	.118



All dimensions are in inches (millimeters) unless otherwise specified and are subject to change without notice.

Architect/Engineer Approval Space: