



Lead Free*

Model PRC-LF

WATER PRESSURE REDUCING VALVE (36CLF Series)

Job Name:	Contractor:
Job Location:	P.O. Number:
Engineer:	Representative:
Tag:	Wholesale Distributor:

DESCRIPTION

The Apollo® **Lead Free*** Pressure Reducing Valve Model PRC-LF (36CLF Series) is designed to protect residential and commercial water distribution systems by automatically controlling excessive pressure changes. The integral thermoplastic cage provides maximum corrosion resistance. Designed for easy in-line servicing with bottom cleanout access to seat disc and strainer. The valve is built for long reliable service with proven ASTM grade **Lead Free*** materials.

FEATURES

- Built-in Thermal Expansion By-Pass
- Balanced Piston Design
- Sealed Spring Cage for Vault Installations
- Bottom Access to Seat Disc and Strainer
- NPT, Solder, PEX and CPVC connections
- 100% Manufactured in USA

MATERIAL SPECIFICATIONS

Part Name	Material
Body	C89836 Lead Free* Bronze
Tailpiece	C27450 Lead Free* Brass
Screen	Stainless Steel
Cap	Glass Filled Celcon®
Diaphragm	FDA grade EPDM
Seat disc	FDA grade EPDM
Stem / Screw	C27450 Lead Free* Brass
Spring	Music Wire ASTM 228
O-Rings	FDA grade Nitrile

PERFORMANCE RATING

Maximum Supply Pressure: 400 psig
 Std. Temperature Range 33°F – 180°F
 Maximum Set Pressure: 125psig

APPROVALS:

- City of Los Angeles approved
- **NSF 372** Lead Free, ANSI 3RD Party Approved



***LEAD FREE:** The wetted surfaces of this product shall contain no more than 0.25% lead by weighted average. Complies with CA AB1953, VT Act 193, MD HB372, LA HB471 and Federal Public Law 111-380.



MODEL PRC-**-****-****-****-****-****-****-****LF**

UNION

- BLANK** – Single Union
- E** – Extended Union
- D** – Double Union
- T** – No Union (Threaded Only)

GAUGE

- BLANK** – No Gauge Port
- P** – Plugged Gauge Port
- G** – W/ Pressure Gauge

PRESSURE RANGE

- BLANK** – 25–75 PSIG
- L** – 10-35 PSIG
- H** – 75-125 PSIG

MISCELLANEOUS OPTIONS

- A** – Stainless Steel Trim

SIZE

- 12 = 1/2"
- 34 = 3/4"
- 1 = 1"

END CONNECTION

- BLANK** –FNPT x FNPT

Single Union

- S** - Solder x FNPT
- C** – CPVC x FNPT
- X** – PEX x FNPT
- M** – METER X FNPT
- E** – 90 ELBOW x FNPT

Double Union

- S** – Solder x Solder
- C** – CPVC x CPVC
- X** – PEX x PEX
- B** – BSPT x BSPT
- SC** – Solder x CPVC
- SX** – Solder x PEX
- CX** – CPVC x PEX
- CE** – CPVC x Elbow
- SE** – Solder x Elbow

Conbraco Industries, Inc. 701 Matthews Mint Hill Rd. Matthews NC 28106 USA; www.apollovalves.com ; 704-841-6000

This specification is provided for reference only. Conbraco reserves the right to change any portion of this specification without notice and without incurring obligation to make such changes to Conbraco products previously or subsequently sold.

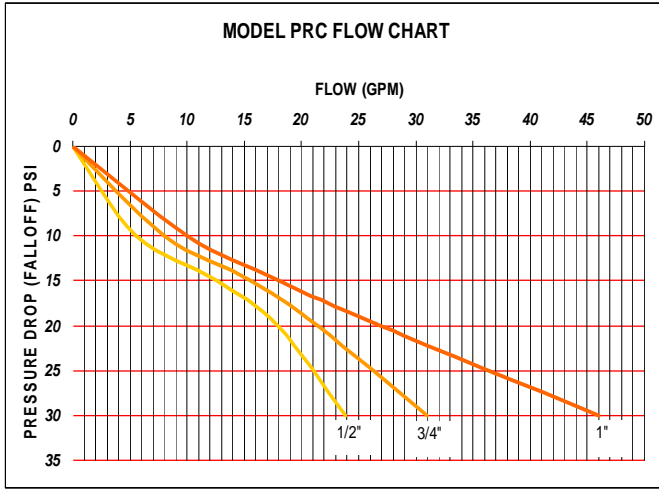


Lead Free*

Model PRC-LF

PRESSURE REDUCING VALVE (36CLF Series)

FLOW AND SIZING INFORMATION



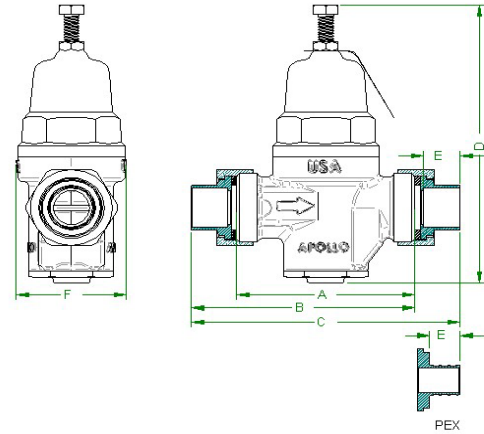
WATER CAPACITY (GPM)

PIPE SIZE	FALL-OFF (PSI)	PRESSURE DIFFERENTIAL (PSI)		
		25	50	75
1/2"	5	1.3	1.5	1.7
	10	4.7	5.5	6.3
	15	10.6	12.5	14.4
	20	15.3	18	20.7
3/4"	5	2.1	2.5	2.9
	10	6.8	8	9.2
	15	13.2	15.5	17.8
	20	18.3	21.5	24.7
1"	5	2.8	3.3	3.7
	10	8.5	10	11.5
	15	15.3	18	20.7
	20	21.3	25	28.8

DIMENSIONAL INFORMATION

CONNECT TYPE	SIZE (in)	DIMENSIONS (IN.)						WT. (Union) (lbs. EA)
		A	B	C	D	E	F	
THREAD	1/2"	3-5/8	4-1/2	5-3/8	6	5/8	2-3/4	3.5
SOLDER	1/2"	3-5/8	4-1/2	5-1/2	6	1/2	2-3/4	3.4
PEX	1/2"	3-5/8	4-1/2	5-1/2	6	5/8	2-3/4	3.3
CPVC	1/2"	3-5/8	4-1/4	5	6	1/2	2-3/4	3.1
THREAD	3/4"	3-5/8	4-1/2	5-1/2	6	5/8	2-3/4	3.4
SOLDER	3/4"	3-5/8	4-1/2	5-1/2	6	3/4	2-3/4	3.3
PEX	3/4"	3-5/8	4-5/8	5-5/8	6	5/8	2-3/4	3.2
CPVC	3/4"	3-5/8	4-1/2	5-1/2	6	5/8	2-3/4	3
THREAD	1"	3-3/4	4-5/8	5-3/4	6	5/8	3-3/8	4.5
SOLDER	1"	3-3/4	4-5/8	5-3/4	6	7/8	3-3/8	4.4
PEX	1"	3-3/4	4-3/4	6	6	3/4	3-3/8	4.3

Nominal dimensions are shown. Allowances must be made for manufacturers' tolerances.



ORDER NUMBER MATRIX

--	--	--	--	--	--

36CLF	X CONNECTION	XX SIZE	X GAUGE	X PRESSURE	X OPTION
	1- SINGLE UNION NPT	03 - 1/2"	0 - W/O GAUGE	1- 25-75 PSI RANGE	C- CPVC TAILPIECE
	2- NO UNION NPT	04 - 3/4"	P - WITH GAUGE PORT PLUG	2- 10-35 PSI RANGE	S- STAINLESS TRIM
	3- SINGLE UNION SOLDER X NPT	05 - 1"	G- WITH GAUGE	3- 75-125 PSI RANGE	X- EXTENDED UNION
	4- DOUBLE UNION NPT				
	5- DOUBLE UNION SOLDER				
	6- SINGLE UNION METER				
	7- SINGLE UNION 90ELBOW METER				
	9- DOUBLE UNION PEX				

JUMP KIT

FOR USE DURING SYSTEM STARTUP AND OVERPRESSURIZATION

Kit Number	Size	Adapter
36C304JKF	3/4"	Threaded
36C305JKF	1"	Threaded
36C304JKS	3/4"	Solder
36C305JKS	1"	Solder
36C304JKC	3/4"	CPVC
36C305JKC	1"	CPVC



Conbraco Industries, Inc. 701 Matthews Mint Hill Rd. Matthews NC 28106 USA; www.apollovalves.com ; 704-841-6000

This specification is provided for reference only. Conbraco reserves the right to change any portion of this specification without notice and without incurring obligation to make such changes to Conbraco products previously or subsequently sold.