

WOLVERINE BRASS, INC.

8" DECKMOUNT GOOSENECK FAUCET

ultra lab

FAUCET CONSTRUCTION:

- CERAMIC DISC CARTRIDGES.
- CHROME PLATED MACHINED BRASS BODY.
- 3/8" BRASS PIPE CHROME PLATED GOOSENECK SPOUT.
- CHROME PLATED METAL HANDLES.
- BRASS SUPPLY CONNECTIONS WITH 1/2" IPS THREADS.

OPERATION:

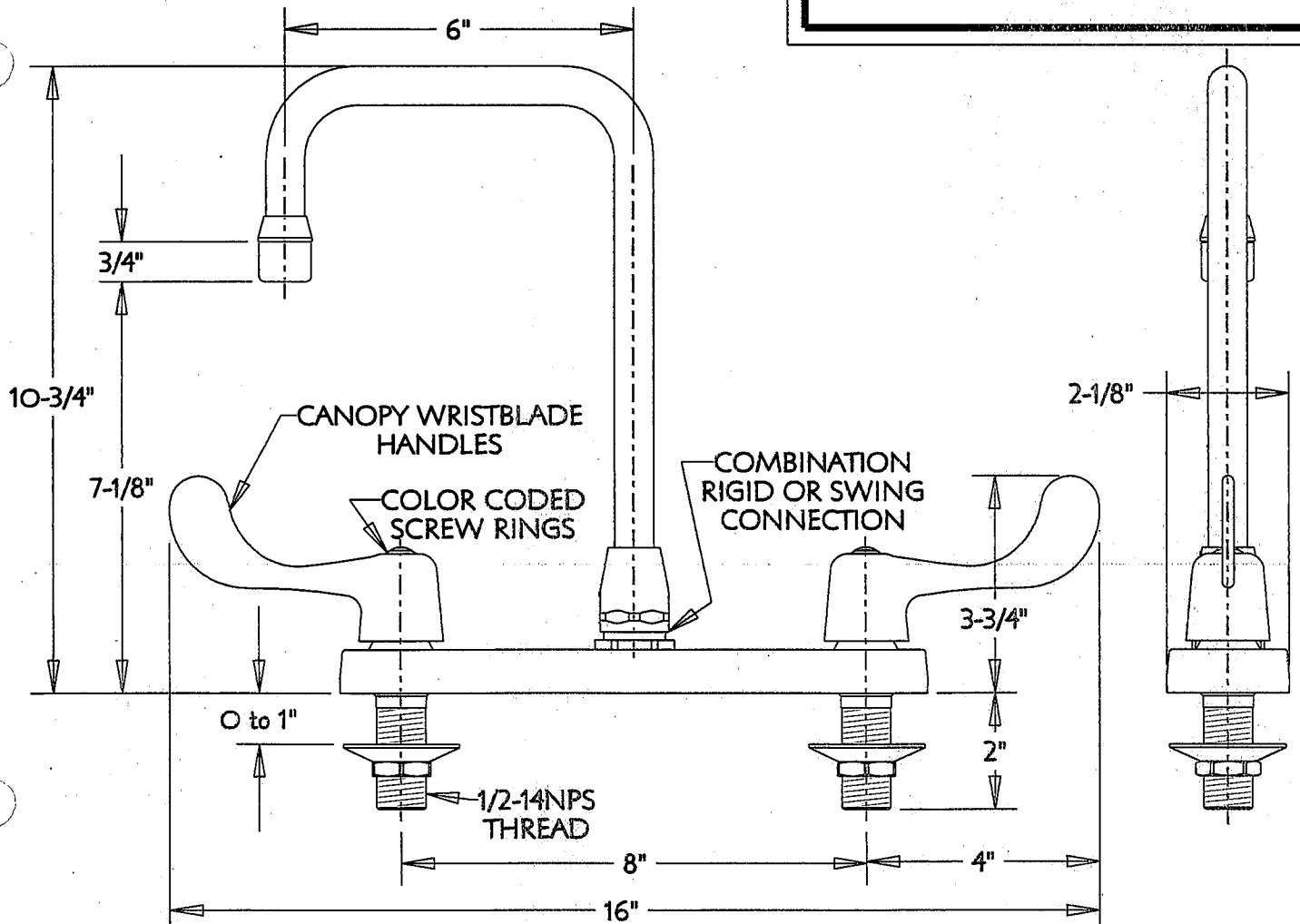
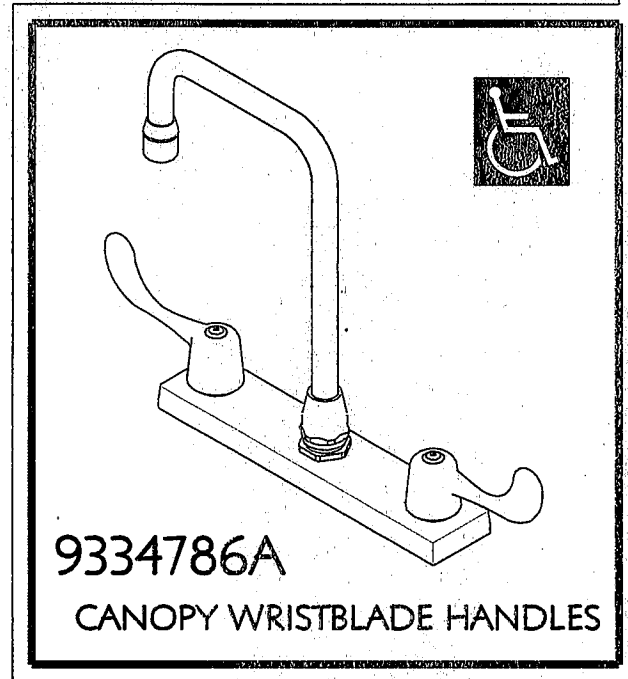
- TWIN CANOPY WRISTBLADE HANDLES.
- REQUIRES LESS THAN 5 LB FORCE TO OPERATE VALVE.
- 90° TURN FROM FULL OFF TO FULL ON.
- 2.2 GPM AERATOR.

STANDARDS:

- DESIGNED AND MANUFACTURED TO COMPLY WITH CSA B-125, ASME A112.18.1M, NSF AND ADA STANDARDS.

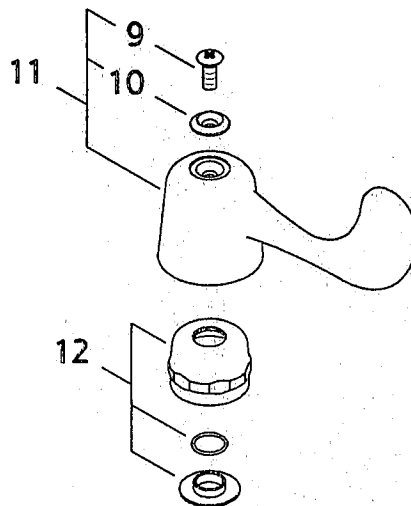
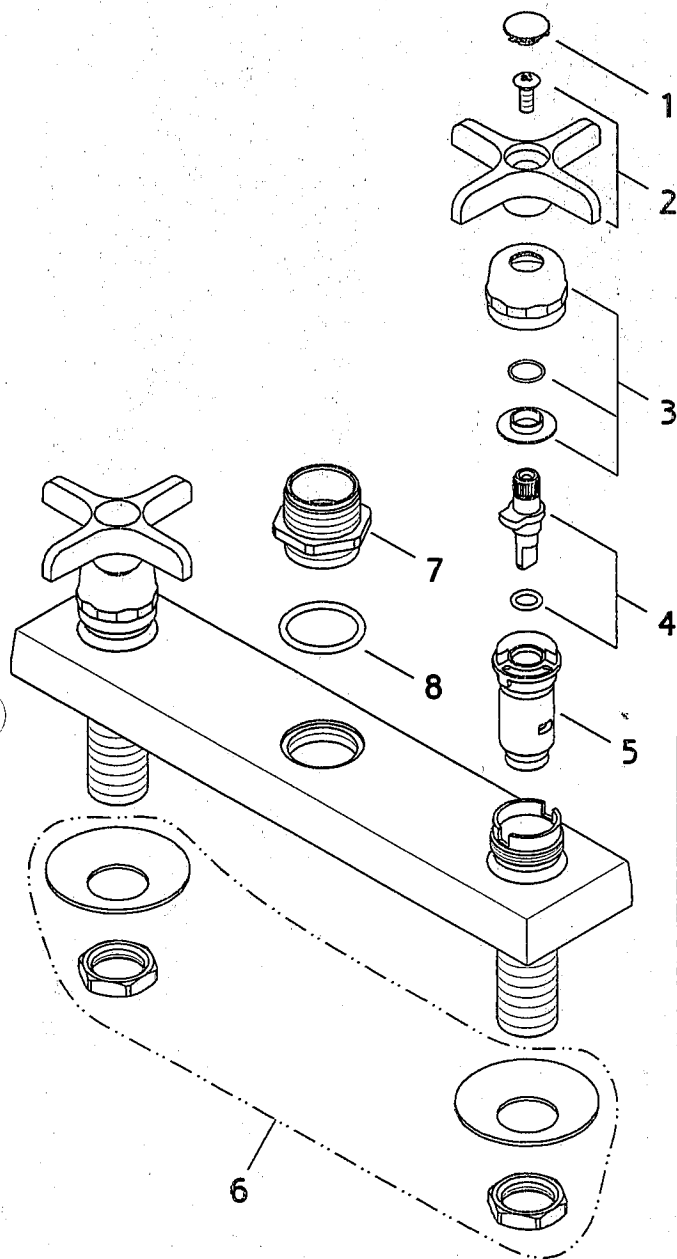
MOUNTING SURFACE REQUIREMENTS:

- SURFACE THICKNESS 1" MAXIMUM.
- TWO 7/8" DIA. MINIMUM HOLES 8" ON CENTER.



LABORATORY FAUCET
8" DECK MOUNT - DOUBLE SERVICE

93346/93347
EXPLODED VIEW



ITEM	PART NO.	DESCRIPTION
1	91110	CW BUTTON
1	91111	HW BUTTON
2	93754	CROSS HANDLE & SCREW
3	42368	CAPNUT-CH, O-RING, STEM HAT
4	53573	STEM-HOT-PLATED BRASS
4	53574	STEM-COLD-PLATED BRASS
5	53571	CARTRIDGE ASSY
6	42582	MOUNTING NUTS & WASHERS BAG
7	25786	SPOUT ADAPTER
8	23809	O-RING
9	23887	SCREW 8-32x1/2" OVAL - CH
10	25616	BLUE INDEX HANDLE SCREW RING
10	25615	RED INDEX HANDLE SCREW RING
11	MF00043	CANOPY WRISTBLADE HANDLE PR
12	42366	CAPNUT, O-RING, STEM HAT

