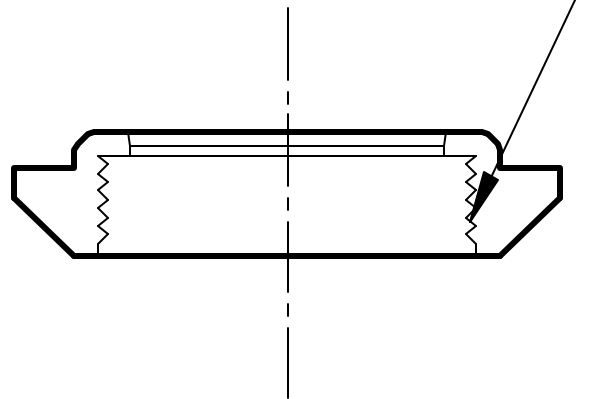
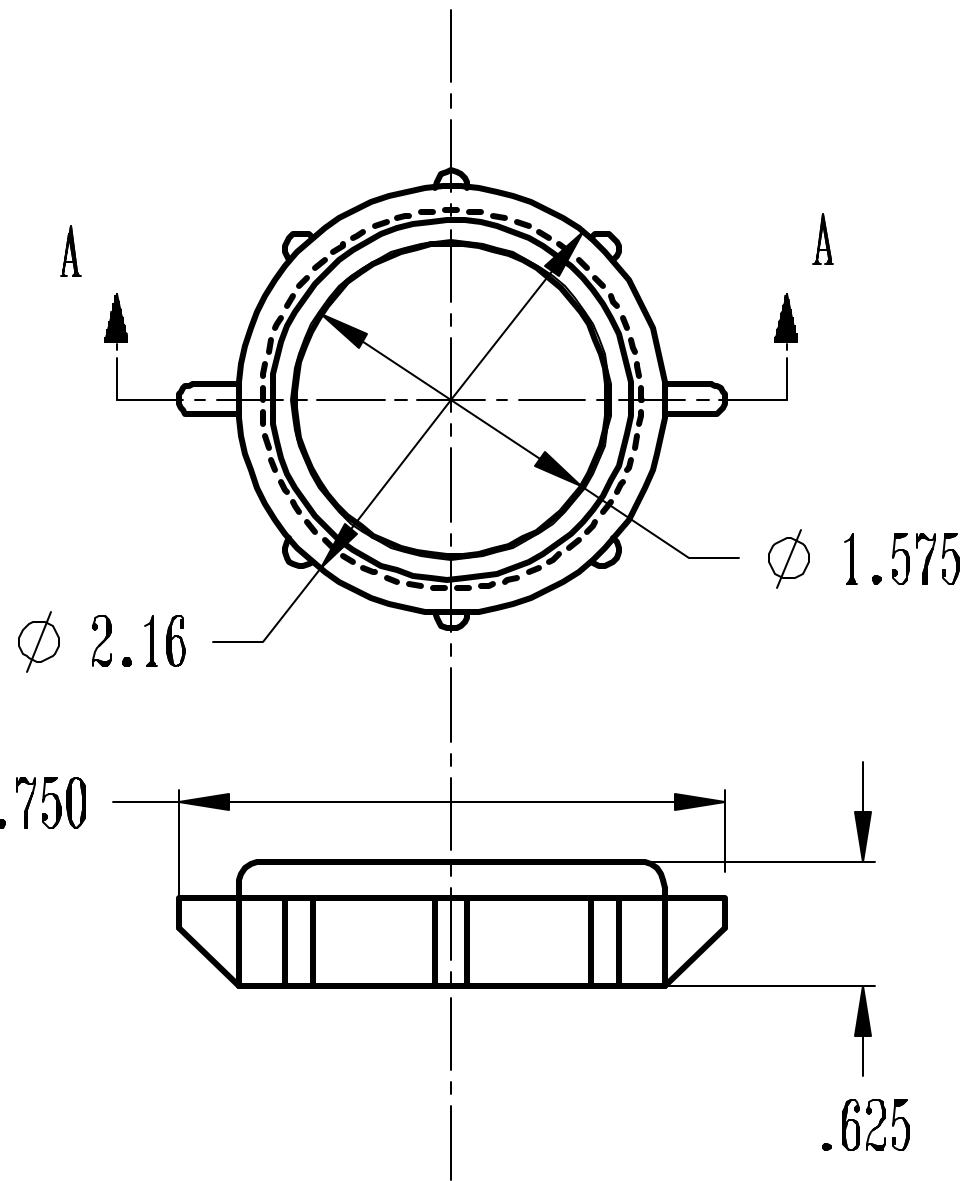


1 1/2"-11 1/2NPSM THRDS



SECTION A-A



MATERIAL: POLYPRO

THE KEENEY MANUFACTURING CO.
NEWINGTON, CT. 06111

TITLE: SLIP JOINT NUT | P/N: 55W

DWG BY: C.GRAHAM

DATE:04/08/97

ALL DIMENSIONS IN INCHES