



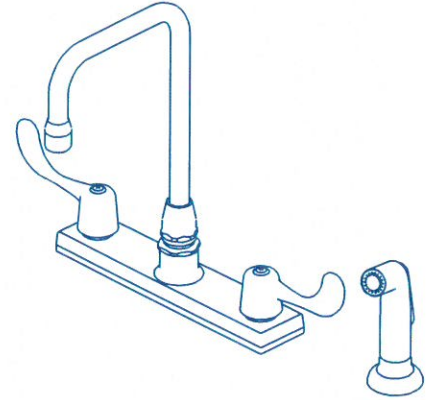
ETERNITY® BY WOLVERINE BRASS

TWO HANDLE 8" DECK MOUNT DOUBLE SERVICE FIXTURE WITH SIDE SPRAY AND 6" SPREAD GOOSENECK SPOUT

9334586A

FAUCET CONSTRUCTION:

- CERAMIC DISC CARTRIDGES.
- CHROME PLATED MACHINED BRASS BODY.
- CHROME PLATED METAL 4" WRIST BLADE HANDLES.
- RED / BLUE (Hot / Cold) HANDLE INDEX RINGS.
- CHROME PLATED HEAVY BRASS SPOUT WITH 1.8GPM AERATOR.
- BRASS SUPPLY CONNECTIONS WITH 1/2" IPS THREADS.



OPERATION:

- TWIN 4" WRIST BLADE HANDLES.
- HANDLES REQUIRES LESS THAN 5 LB FORCE TO OPERATE VALVE.
- 90° TURN FROM FULL OFF TO FULL ON.

STANDARDS:

- LOW LEAD COMPLIANT (0.25% Pb MAX).
- DESIGNED AND MANUFACTURED TO COMPLY WITH CSA B-125, ASME A112.18.1M AND NSF STANDARDS.
- CANOPY WRIST BLADE HANDLES COMPLY WITH ADA STANDARDS

MOUNTING SURFACE REQUIREMENTS:

- SURFACE THICKNESS 1" MAXIMUM.
- 7/8" DIA. MIN. HOLES 4" ON CENTER.

